



01 免责声明和警告

感谢您购买TILTA产品。

使用本产品之前,请仔细阅读本文以确保已对产品进行正确的设置。本文档及本产品所有相关的文档最终解释权归TILTA所有。如有更新,恕不另行通知。请访问[www .tilta . com](http://www.tilta.com)官方网站以获取最新的产品信息。

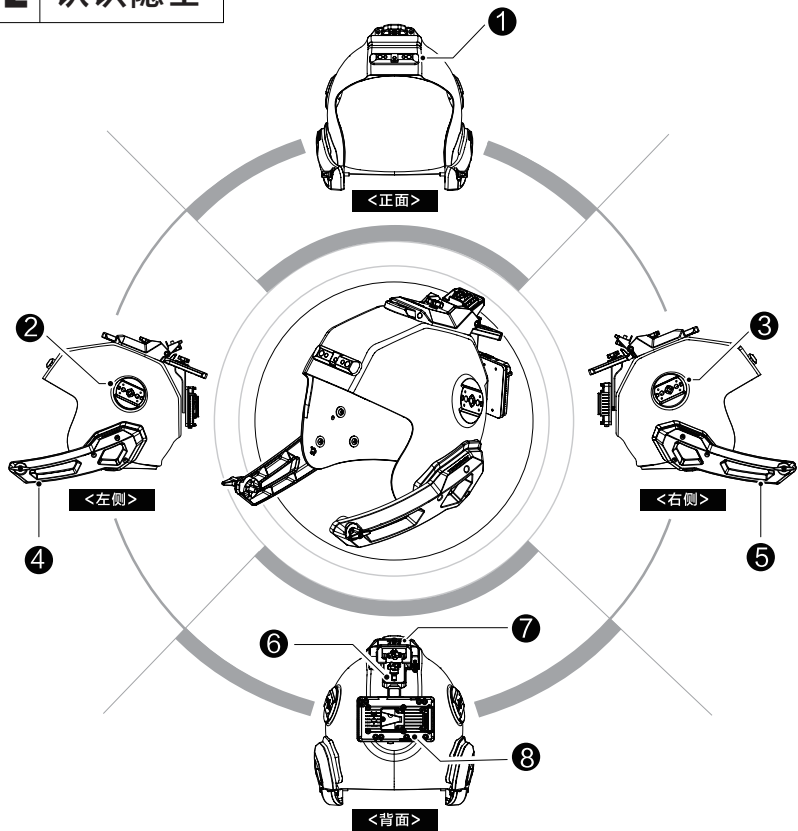
一旦使用本产品,即视为您已经仔细阅读免责声明与警告,理解、认可和接受本声明全部条款和内容。您承诺对使用本产品以及可能带来的后果负全部责任。您承诺仅出于正当目的使用本产品,并且同意本条款以及TILTA制定的任何相关条例、政策和指引。

TILTA对于直接或间接使用本产品而造成的损坏、伤害以及任何法律责任不予负责。用户应遵循包括但不限于本文提及的所有安全指引。

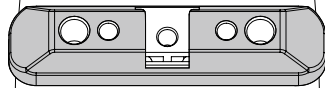
即使存在上述规定,消费者权益依然受当地法律法规所保障,并不受本免责声明影响。

TILTA是深圳市铁头科技有限公司及其关联公司的商标。本文出现的产品名称、品牌等均为其所属公司的商标或注册商标。

02 认识隐士

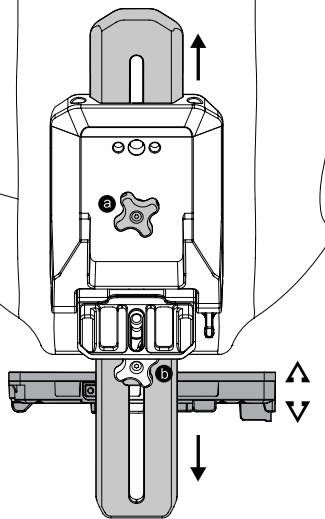


- ① 顶部转接件
- ③ 侧部转接件(右)
- ⑤ 头盔-右臂
- ⑦ 1/4定位螺纹孔
- ② 侧部转接件(左)
- ④ 头盔-左臂
- ⑥ 平衡滑块
- ⑧ V口供电/安东口供电



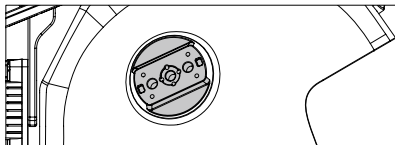
顶部转接件
[正面]

顶部预留冷靴和2个1/4 3/8螺纹孔，可锁怪手/监视器支架/手机支架，可方便将画面置于头顶，不挡视野，便于拍摄。



平衡滑块 [顶面]

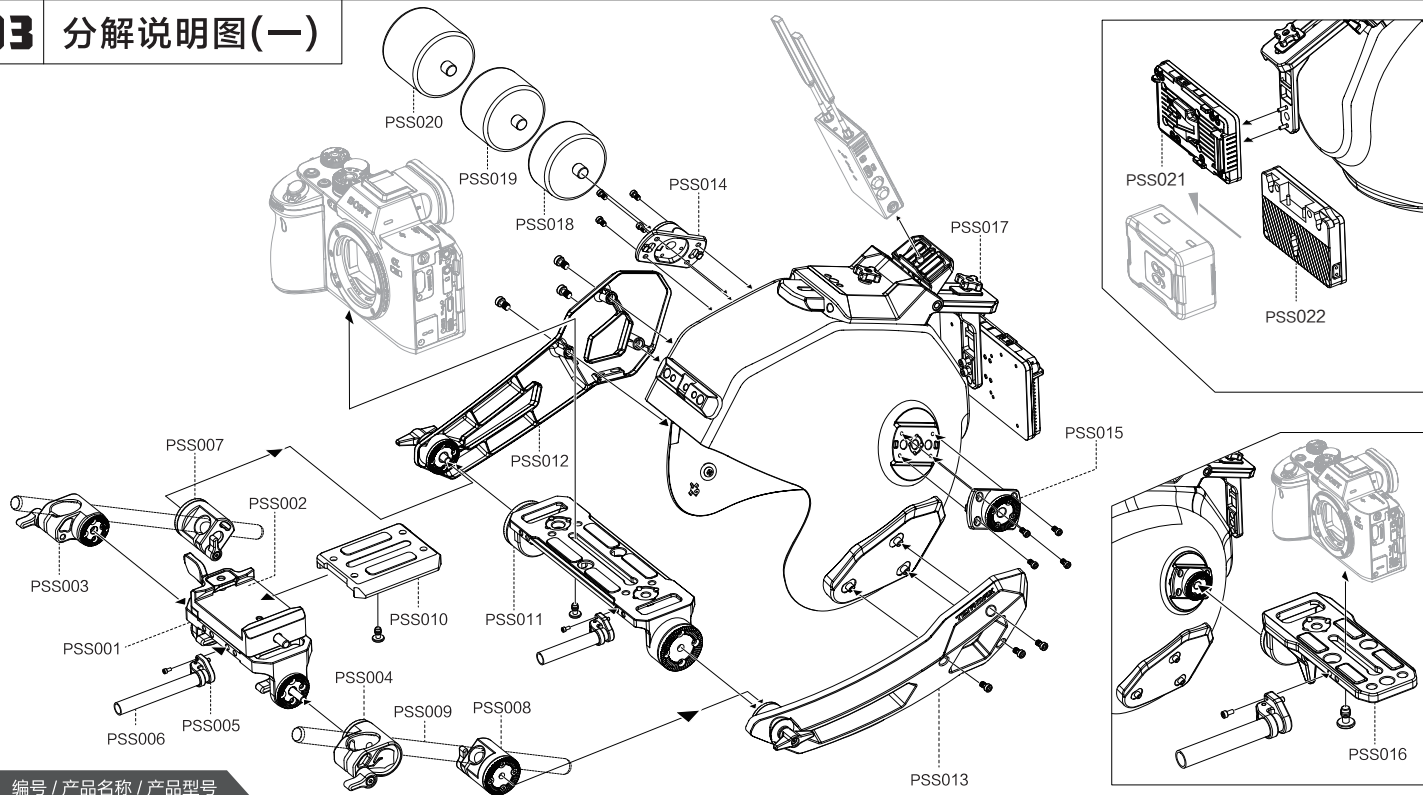
1. 松动**②**手扭螺丝可前后滑动调节头盔重心平衡。
2. 松动**①**手扭螺丝可前后滑动调节供电设备重心平衡。



侧部转接件
[侧面]

侧部预留1/4定位螺纹孔，可外接相应配件；亦可外接牙盘转接件，便于拓展更多功能。

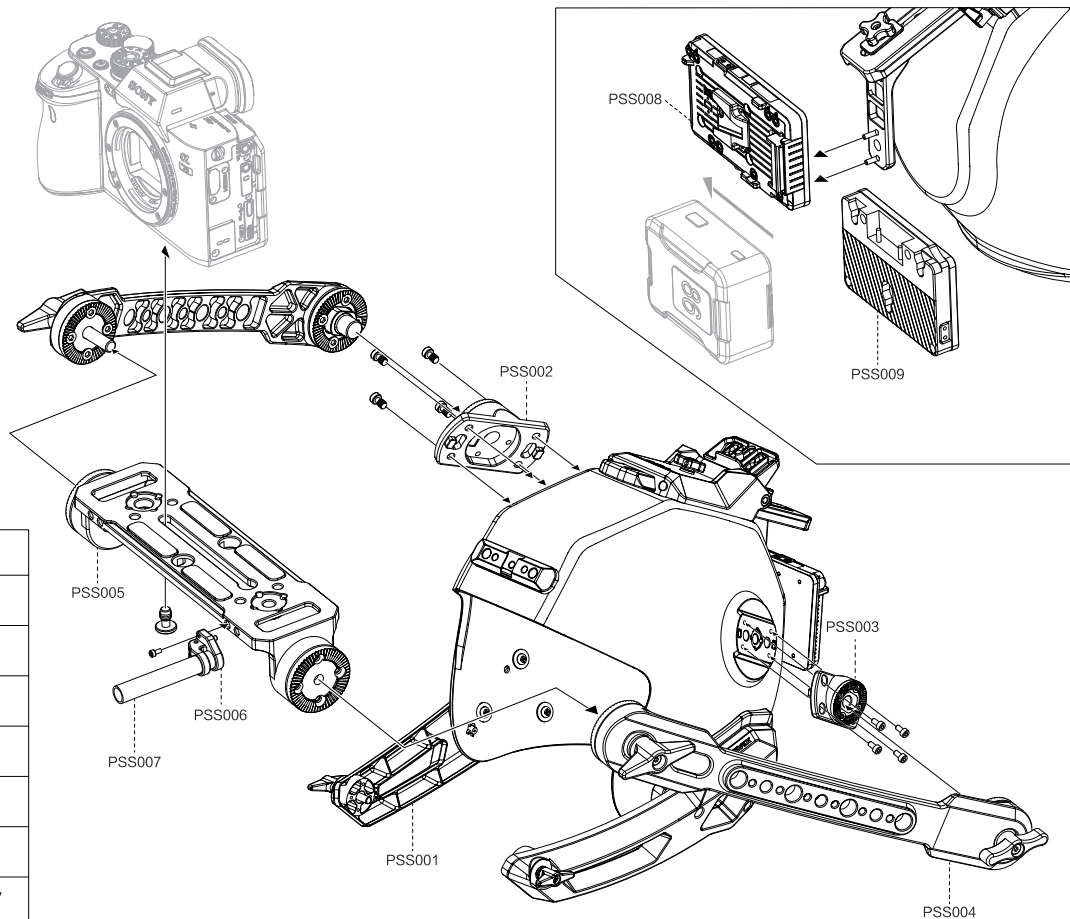
03 分解说明图(一)



编号 / 产品名称 / 产品型号

PSS001	小平台	TA-HR-AMP	PSS007	牙盘转15mm导轨转接件(左)	----	PSS013	头盔-右臂	TA-HR-RMR	PSS019	500G配重	TA-HR-CW-500
PSS002	云台板	TA-HR-QRPR	PSS008	牙盘转15mm导轨转接件(右)	----	PSS014	牙盘转接件(左)	----	PSS020	1000G配重	TA-HR-CW-1000
PSS003	小平台牙盘调整件(左)	----	PSS009	15*200mm导轨	R15-200-B	PSS015	牙盘转接件(右)	----	PSS021	V口供电	TA-HR-BP-V
PSS004	小平台牙盘调整件(右)	----	PSS010	阿卡快装板	TA-HR-QRP	PSS016	侧面云台	TA-HR-SMP	PSS022	安东供电	TA-HR-BP-AB
PSS005	15mm单管卡件	TA-HR-RA	PSS011	大平台	TA-HR-DMP	PSS017	头盔壳组件	TA-HR-HFP			
PSS006	15*100mm导轨	R15-100-B	PSS012	头盔-左臂	TA-HR-LMR	PSS018	250G配重	TA-HR-CW-250			

04 分解说明图(二)



编号 / 产品名称 / 产品型号

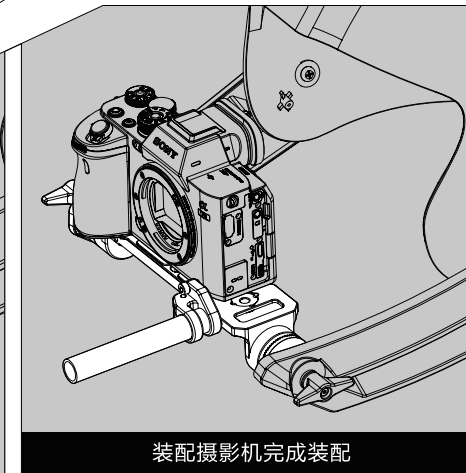
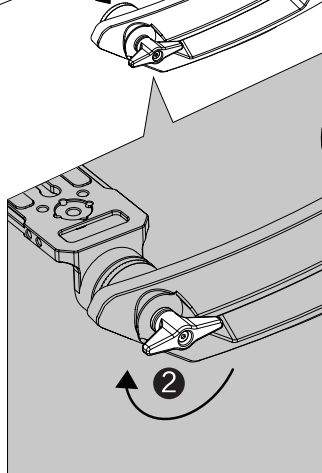
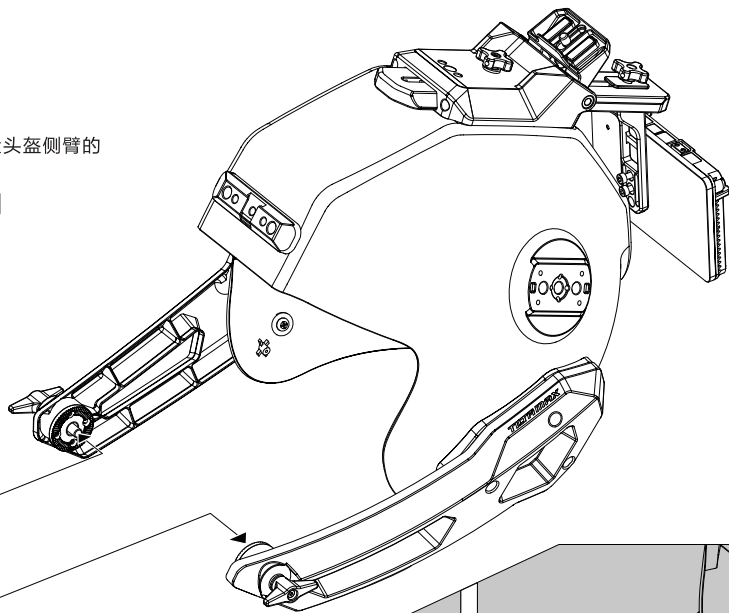
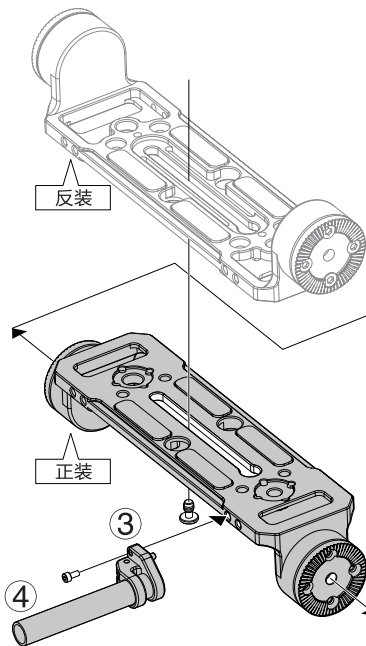
PSS001	头盔壳组件	TA-HR-HFP
PSS002	牙盘转接件(左)	----
PSS003	牙盘转接件(右)	----
PSS004	左右延长臂	TA-HR-REA
PSS005	大平台	TA-HR-DMP
PSS006	15mm单管卡件	TA-HR-DMP
PSS007	15*100mm导轨	R15-100-B
PSS008	V口供电	TA-HR-BP-V
PSS009	安东供电	TA-HR-BP-AB

05 简易版前部拍摄方案

1. 安装①大平台

将大平台对应接入到头盔左（右）臂上的牙盘接口上，拧紧头盔侧臂的
②牙盘旋钮完成装配。

【注：大平台可根据需求正/反装，调整拍摄视线。】

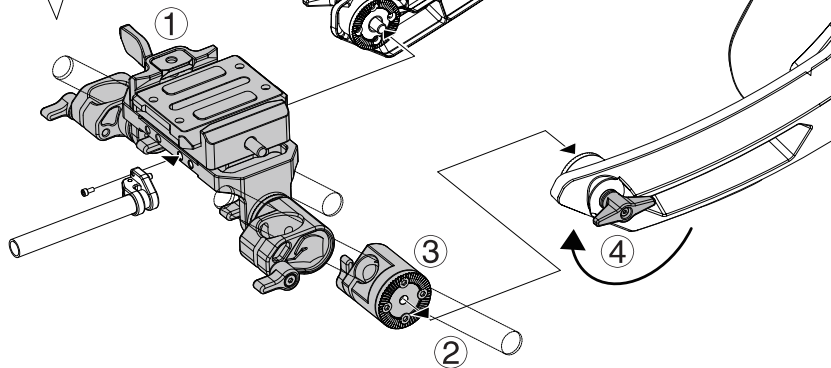
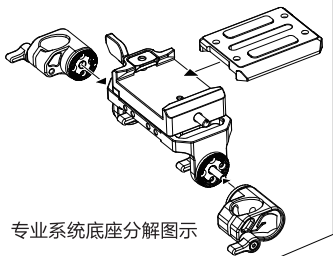


2. 安装③15mm单管卡件和④15*100mm导轨。

通过M3螺丝钉锁紧15mm单管卡件于大平台上，搭配15mm导轨拓展跟焦功能。

装配摄影机完成装配

06 专业版前部拍摄方案



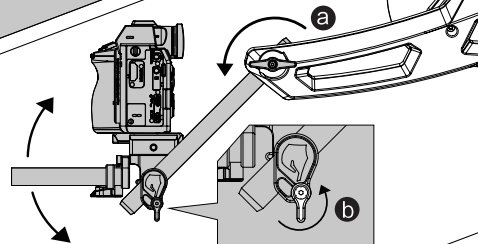
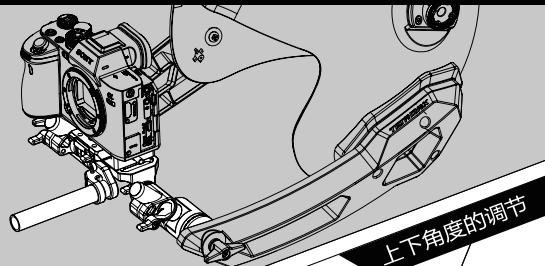
1. 安装①专业系统底座

(1) 将专业系统底座通过②15*200mm导轨(左/右)连接③牙盘转15mm导轨转接件(左/右), 完成第一步装配。

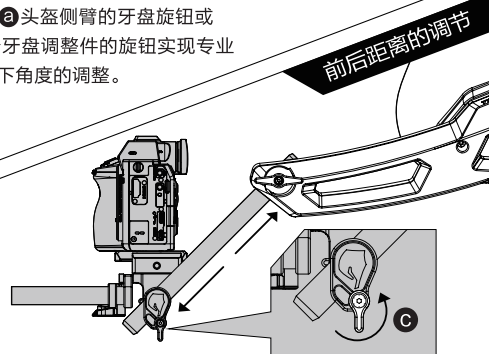
(2) 装配后将其接入到头盔左右侧臂上的牙盘接口上, 拧紧④牙盘旋钮完成组装。

2. 专业系统底座前端可装配15mm导轨适配器和15*100mm导轨, 拓展跟焦功能。

装配摄影机完成装配

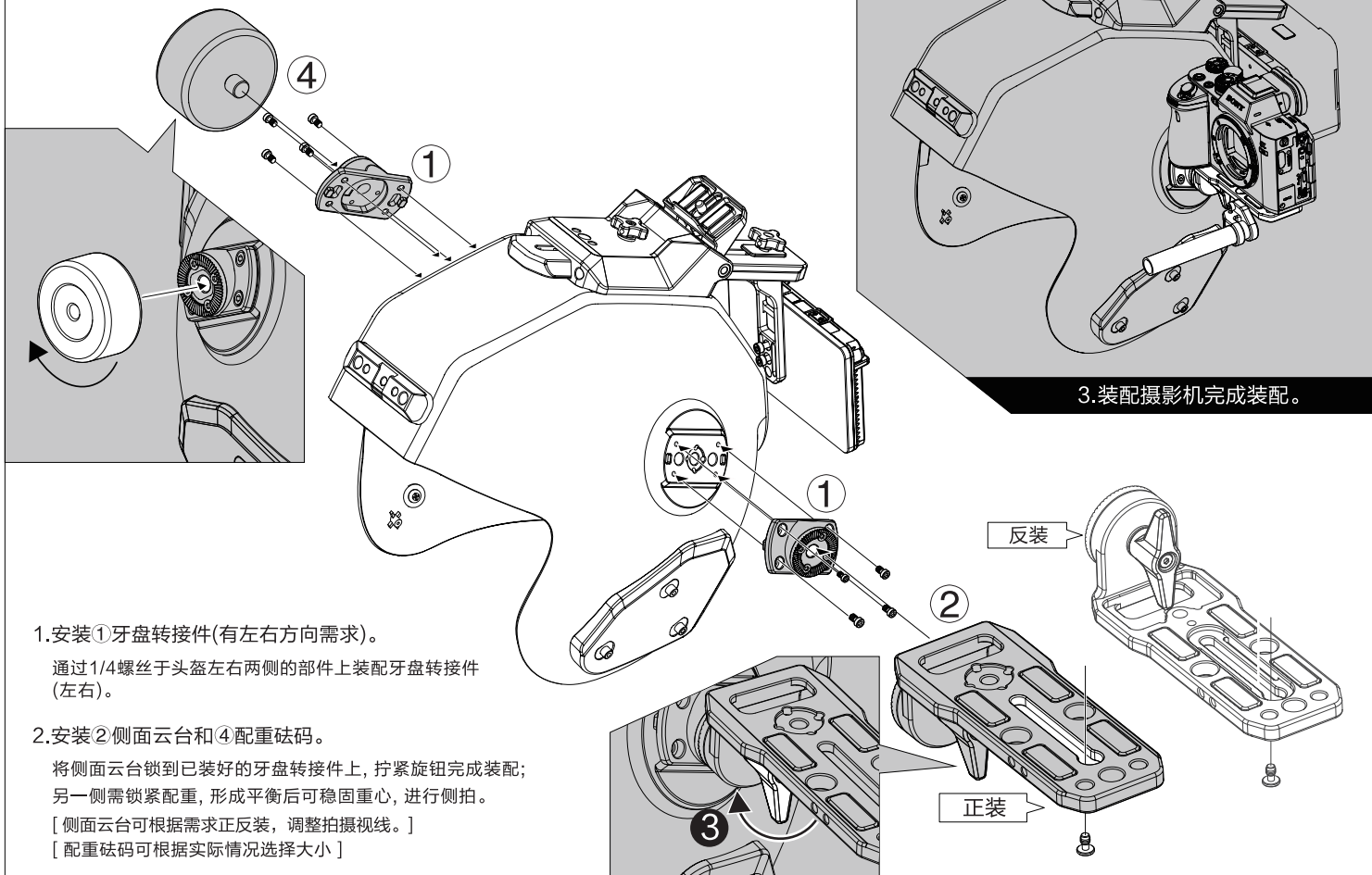


松开调节**a**头盔侧臂的牙盘旋钮或
b小平台牙盘调整件的旋钮实现专业
快装板上下角度的调整。



松开调节**c**小平台牙盘调整件的旋钮
实现专业快装板前后距离的调整。

07 侧边拍摄方案



3. 装配摄影机完成装配。

1. 安装①牙盘转接件(有左右方向需求)。

通过1/4螺丝于头盔左右两侧的部件上装配牙盘转接件(左右)。

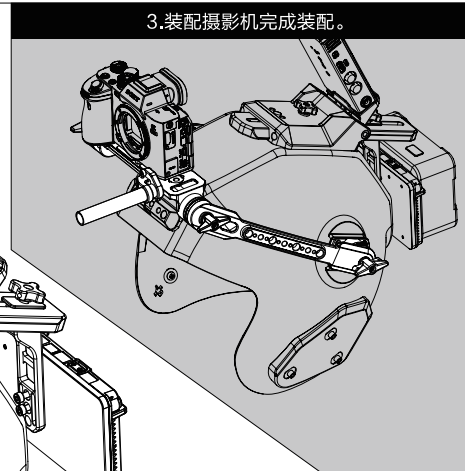
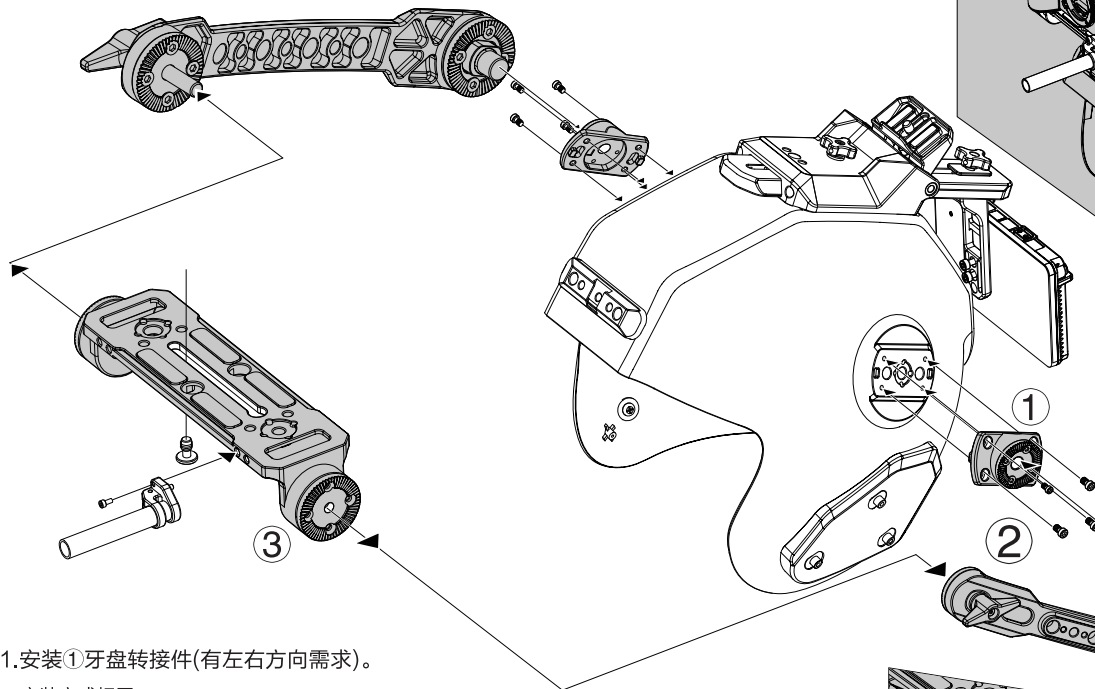
2. 安装②侧面云台和④配重砝码。

将侧面云台锁到已装好的牙盘转接件上, 拧紧旋钮完成装配; 另一侧需锁紧配重, 形成平衡后可稳固重心, 进行侧拍。

[侧面云台可根据需求正反装, 调整拍摄视线。]

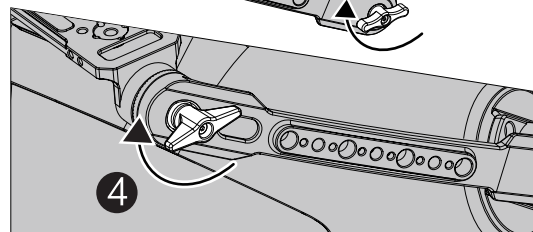
[配重砝码可根据实际情况选择大小]

08 简易版顶部拍摄方案

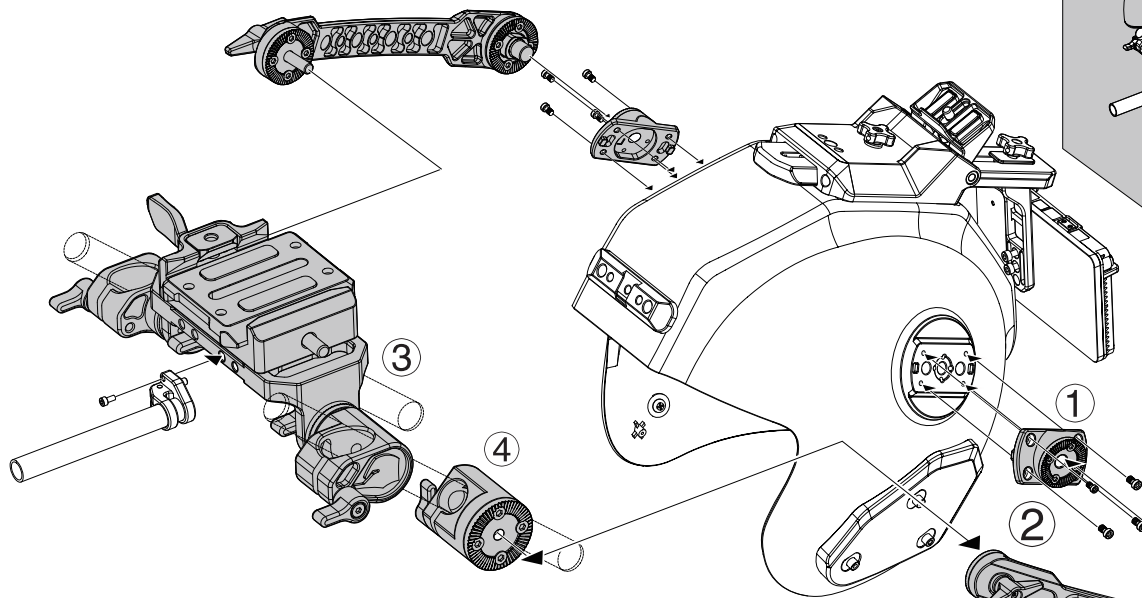


1. 安装①牙盘转接件(有左右方向需求)。安装方式相同。
2. 安装②左右延长臂和③大平台。

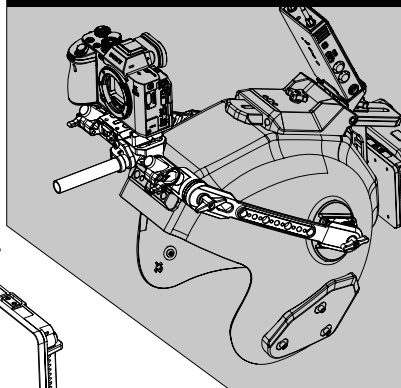
将左右延长臂对准锁到两侧的牙盘转接件上, 拧紧旋钮完成装配。再将大平台对应锁到延长臂上的牙盘接口上, 拧紧④旋钮完成组装, 形成顶部拍摄方案。



09 专业版顶部拍摄方案



3. 装配摄影机完成装配。



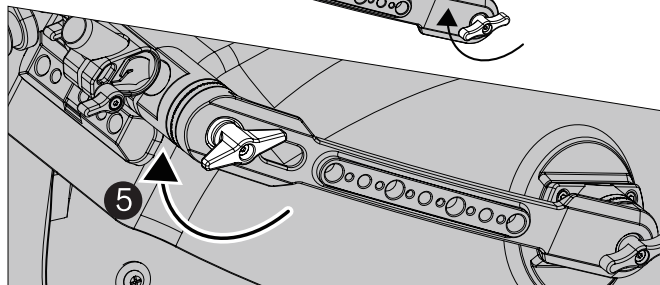
1. 安装①牙盘转接件（左/右）和②左右延长臂。

安装方式与前篇一致。

2. 安装③专业系统底座。

(1) 将专业系统底座通过②15*200mm导轨(左/右), 连接④牙盘转15mm导轨转接件(左右)完成第一步装配。

(2) 装配后再将其安装到头盔左右延长臂上的牙盘接口上, 拧紧头盔侧臂的⑤牙盘旋钮即可完成组装。



Thank you for choosing Tilta products. This content has been created in regards to your safety, responsibilities, and legal rights as the customer. Please carefully read the text prior to using the product to ensure that you fully understand the correct procedures and safety precautions before use. Tilta technology CO., Ltd. reserves the right to final interpretation of this content and other related information. Potential updates to the product may occur without prior notice. Please visit www.tilta.com for the latest product information.

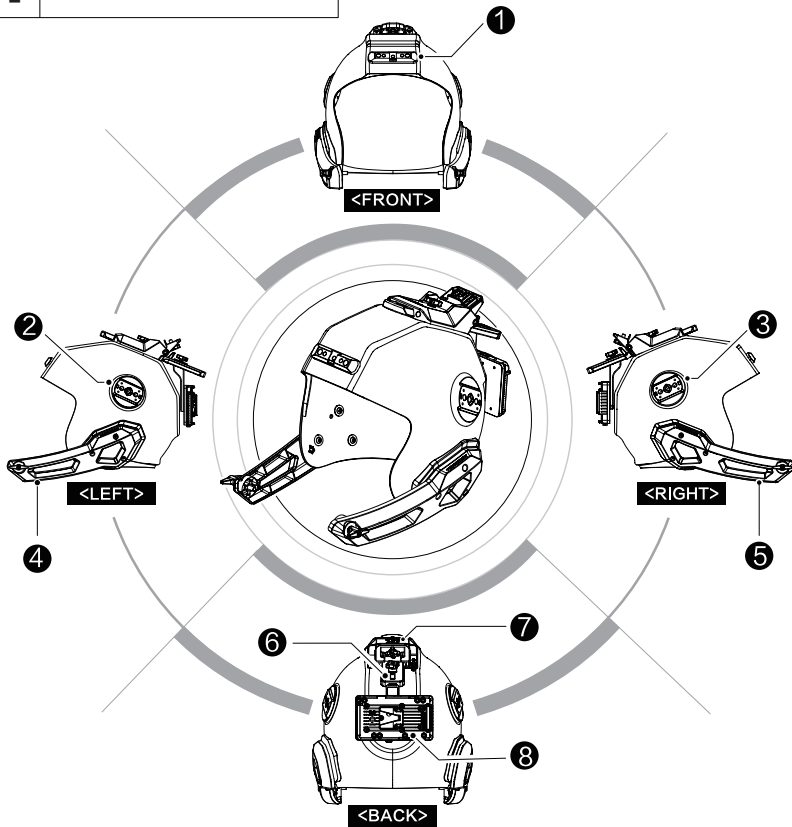
Please do not carry out any unauthorized repair to Hydra Alien Car Mounting System or change its mechanical structures. Any unauthorized operation may cause damage to the product. Tilta technology Co., Ltd will not take responsibility for any damage that was caused by unauthorized operation.

By using this product, you will be regarded as understanding this disclaimer as well as accepting of all policies and regulations put forth by Tilta technology Co., Ltd.

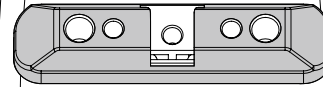
Tilta is a registered trademark that belongs to Tilta technology Co., Ltd and its subsidiary company. All product and brand names that are mentioned in this content belong to Tilta technology Co., Ltd and its subsidiary company.

11

OVERVIEW I.

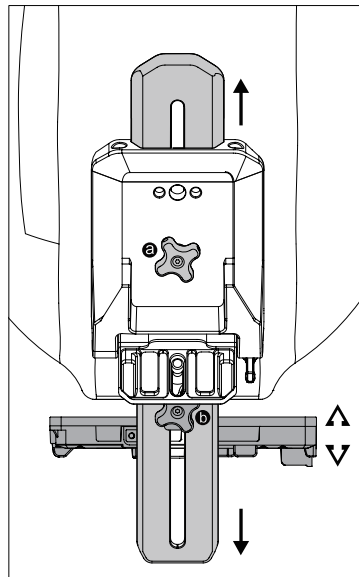


- 1 Top attachment
- 2 Side attachment [left]
- 3 Side attachment [right]
- 4 Left side rosette mounting arm for Hermit POV support system
- 5 Right side rosette mounting arm for Hermit POV support system
- 6 Balance slider
- 7 1/4" -20 screw hole with locating points
- 8 V-mount or gold mount battery plate



Top Attachment
[Front]

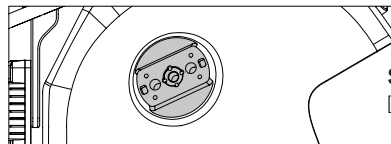
There are built-in cold shoe mount, 1/4" -20, and 3/8" -16 screw holes. Supports mounting of accessories such as articulating arms, monitor bracket, and phone holder. Easy setup for viewing and operating.



Balance Slider
[Top]

1. Loosen **3** the tie down screw to slide and adjust the center of gravity.

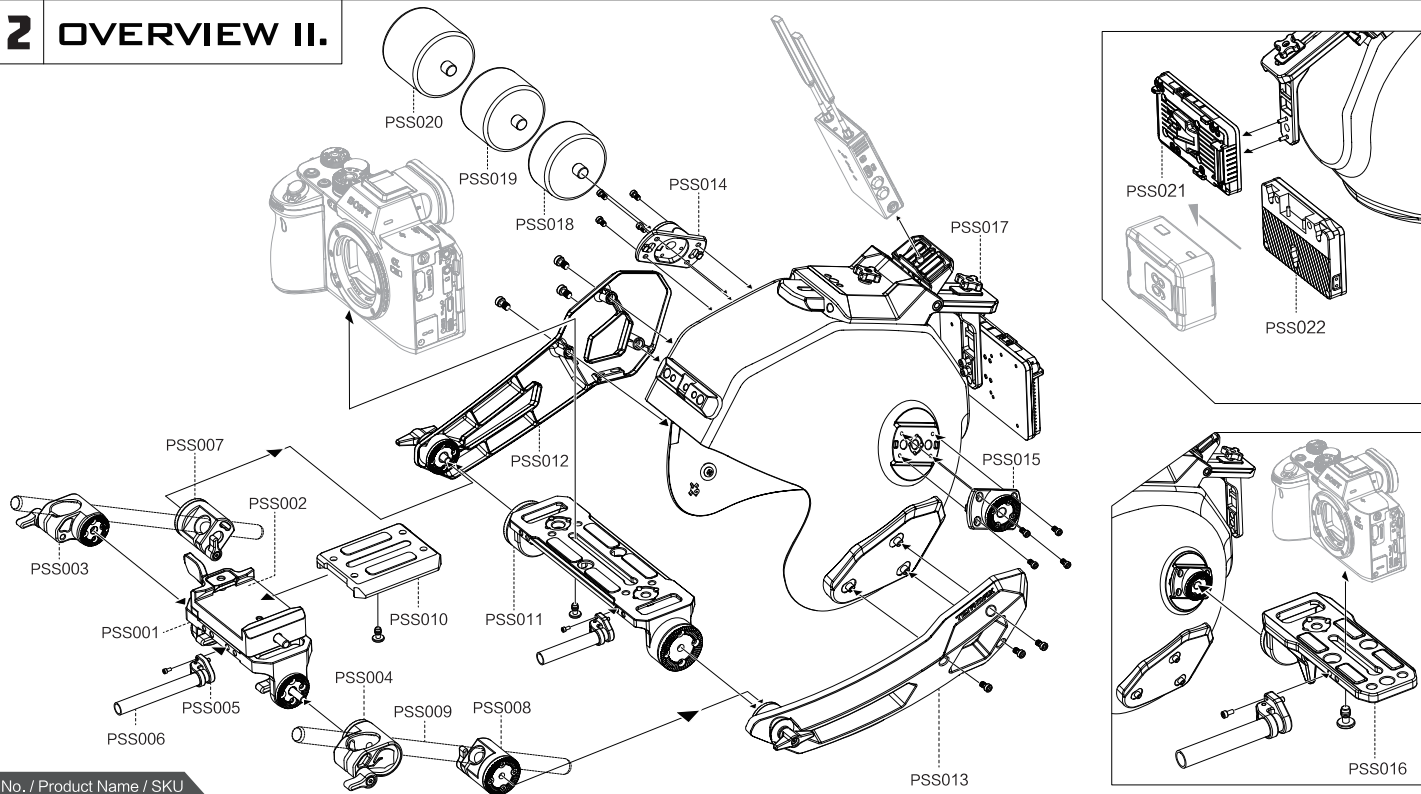
2. Loosen **1** the tie down screw to slide and adjust battery plate's center of gravity.



Side Attachment
[Side]

The side has built-in 1/4" -20 screw holes for mounting accessories. It can also mount rosette adapter attachment for installing accessories with rosette mount.

12 OVERVIEW II.

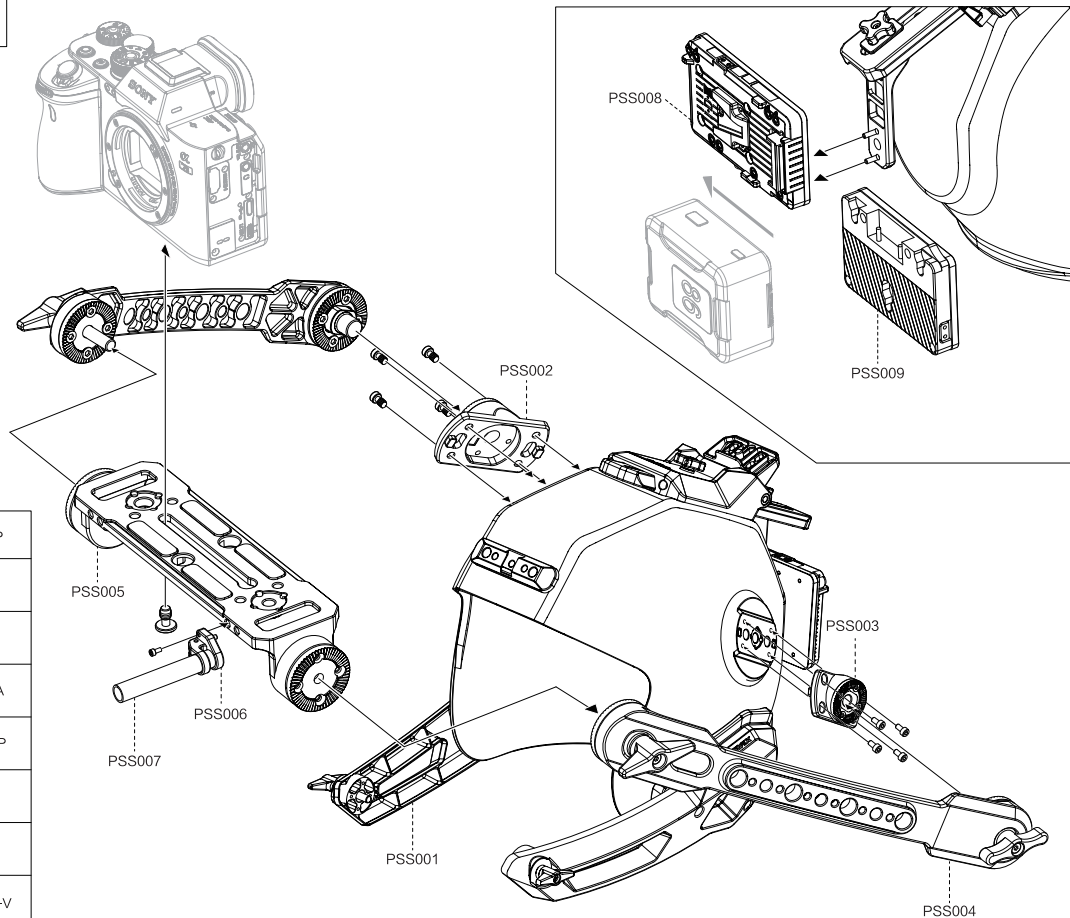


No. / Product Name / SKU

PSS001	Dual Rosette Adjustable Mounting Plate	TA-HR-AMP	PSS007	Left Side Rosette to 15mm Rod Holder Attachment	----	PSS013	Right Side Rosette Mounting Arm for Hermit POV Support System	TA-HR-RMR	PSS019	500g Counterweight	TA-HR-CW-500
PSS002	Quick Release Plate Receiver for Adjustable Mounting Plate	TA-HR-QRPR	PSS008	Right Side Rosette to 15mm Rod Holder Attachment	----	PSS014	Left Side Rosette Adapter Attachment	----	PSS020	1000g Counterweight	TA-HR-CW-1000
PSS003	Dual Rosette Adjustable Mounting Plate Left Side Attachment	----	PSS009	15mm Aluminum Rod (200mm)	R15-200-B	PSS015	Right Side Rosette Adapter Attachment	----	PSS021	V Mount Battery Plate for Hermit POV Support System	TA-HR-BP-V
PSS004	Dual Rosette Adjustable Mounting Plate Right Side Attachment	----	PSS010	Quick Release Plate for Adjustable Mounting Plate	TA-HR-QRP	PSS016	Rosette Side Mounting Plate for Hermit POV Support System	TA-HR-SMP	PSS022	Gold Mount Battery Plate for Hermit POV Support System	TA-HR-BP-AB
PSS005	15mm Rod Adapter for Rosette Mounting Plate	TA-HR-RA	PSS011	Dual Rosette Mounting Plate for Hermit POV Support System	TA-HR-DMP	PSS017	Foam Padding for Hermit POV Support System	TA-HR-HFP			
PSS006	15mm Aluminum Rod (100mm)	R15-100-B	PSS012	Left Side Rosette Mounting Arm for Hermit POV Support System	TA-HR-LMR	PSS018	250g Counterweight	TA-HR-CW-250			

13

OVERVIEW III.



No. / Product Name / SKU

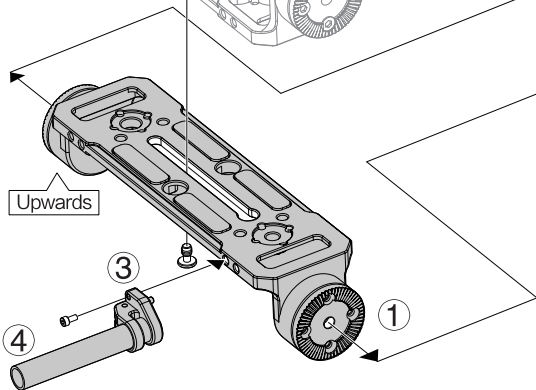
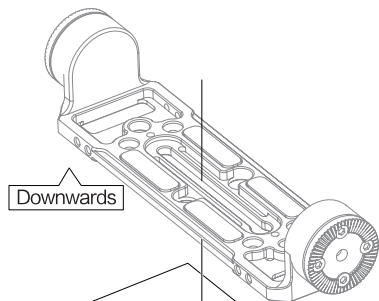
PSS001	Foam Padding for Hermit POV Support System	TA-HR-HFP
PSS002	Left Side Rosette Adapter Attachment	----
PSS003	Right Side Rosette Adapter Attachment	----
PSS004	Rosette Extender Arm for Hermit POV Support System	TA-HR-REA
PSS005	Dual Rosette Mounting Plate for Hermit POV Support System	TA-HR-DMP
PSS006	15mm Rod Adapter for Rosette Mounting Plate	TA-HR-RA
PSS007	15mm Aluminum Rod (100mm)	R15-100-B
PSS008	V Mount Battery Plate for Hermit POV Support System	TA-HR-BP-V
PSS009	Gold Mount Battery Plate for Hermit POV Support System	TA-HR-BP-AB

14 BASIC FRONT CONFIGURATION

1. Installing ① dual rosette mounting plate.

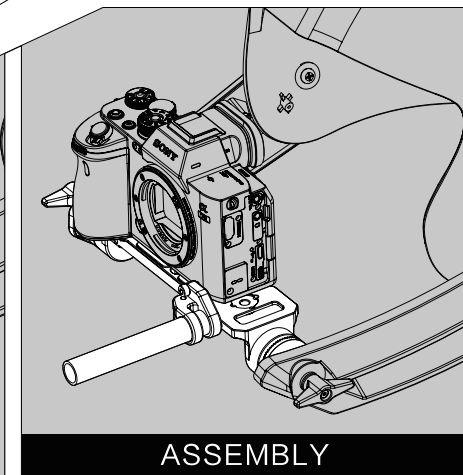
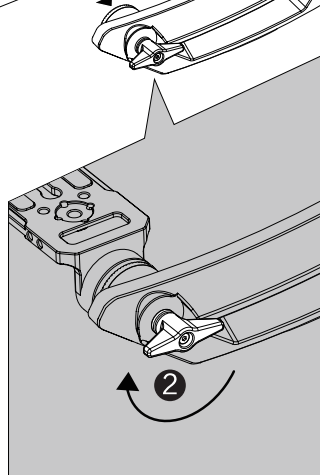
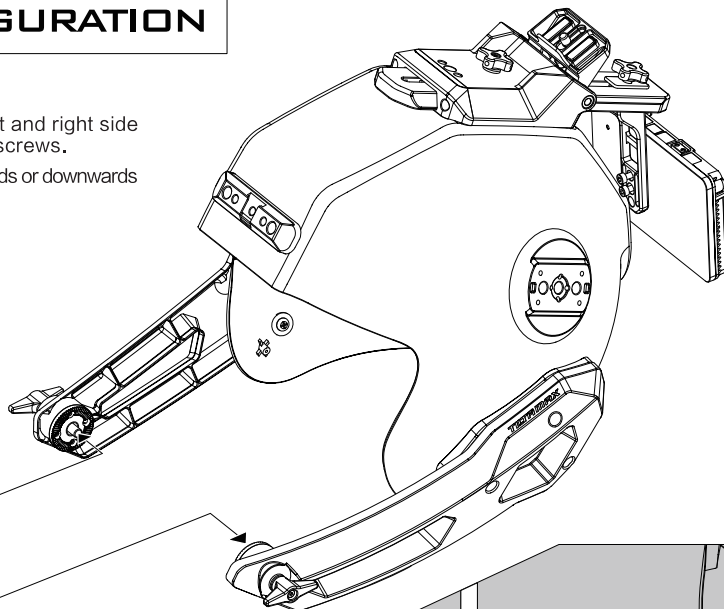
Place the dual rosette mounting plate in between the left and right side rosette mounting arms. Tighten the ② rosette tie down screws.

[NOTE: The dual rosette mounting plate can be installed upwards or downwards for your viewing needs.]



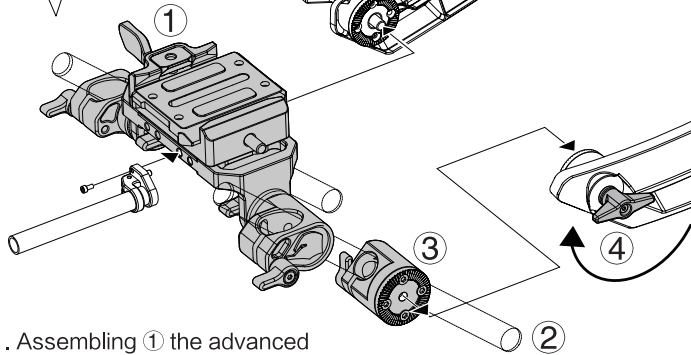
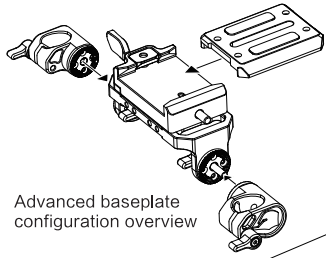
2. Installing ③ rod adapter and ④ 15 × 100mm rod .

Align the rod adapter with the mounting plate. Tighten the M3 screw. A lens control motor can be installed onto the 15mm rod.



15

ADVANCED FRONT CONFIGURATION



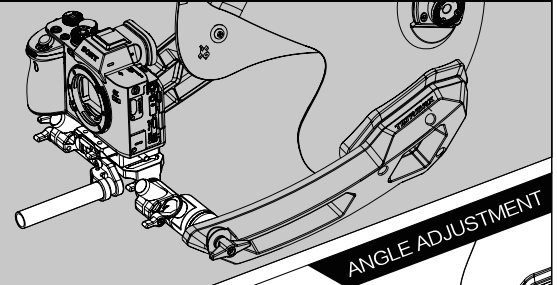
1. Assembling ① the advanced baseplate configuration.

(1) Connect the advanced baseplate configuration with ③ the left/right side rosette to 15mm rod holder attachment via ③ the 15 × 200mm rods.

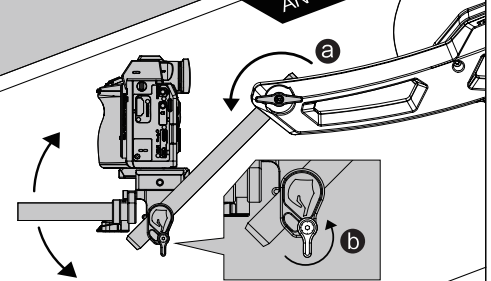
(2) Place the advanced baseplate configuration in between the left and right rosette mounting arms and align the rosettes. Tighten ④ the tie down screws for the rosettes.

2. To mount lens control motor, a 15mm rod holder and a 15 × 100mm rod can mounted to the front of the baseplate.

ASSEMBLY

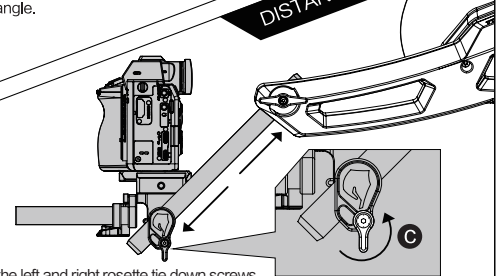


ANGLE ADJUSTMENT



Loosen ② the tie down for the side rosette mounting arm, or ③ the tie down for the side rosette to rod holder attachment, to adjust the rig to the desired operating angle.

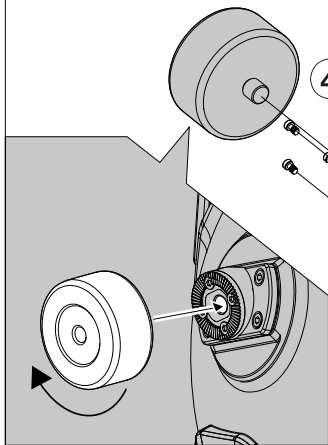
DISTANCE ADJUSTMENT



Loosen ④ the left and right rosette tie down screws for the dual rosette mounting plate left and right side attachments to adjust the rig's distance to the desired operating angle.

16

SIDE CONFIGURATION



1. Assembling ① left and right side rosette adapter attachments.

(Please pay attention to the left and right directions.)

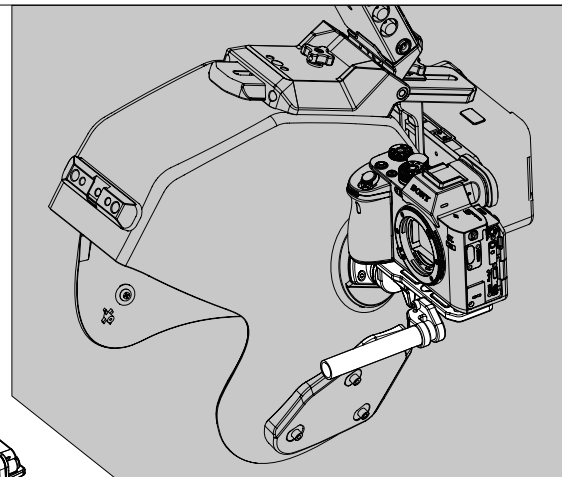
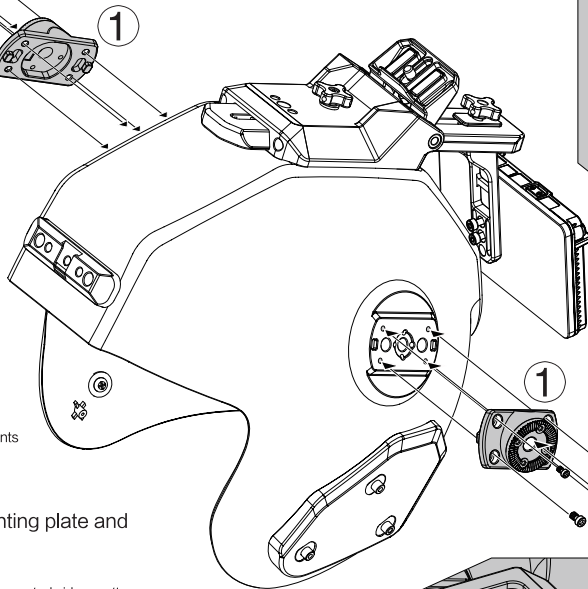
Align the left and right side rosette adapter attachments with the helmet and insert the 1/4" -20 screws. Tighten the tie down screws.

2. Installing ② the rosette side mounting plate and ④ counterweight.

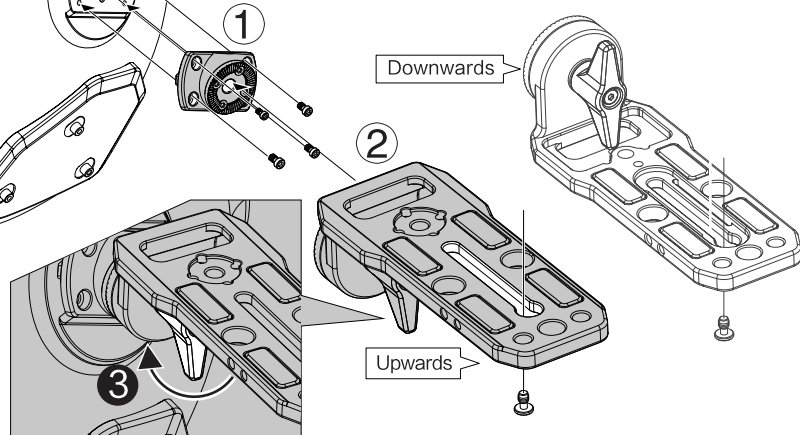
Install the rosette side mounting plate to the already mounted side rosette adapter attachments. Tighten the tie down screws. Balance the center of gravity with counterweight on the other side.

(The rosette side mounting plate can be installed upwards or downwards according to the setup needs.)

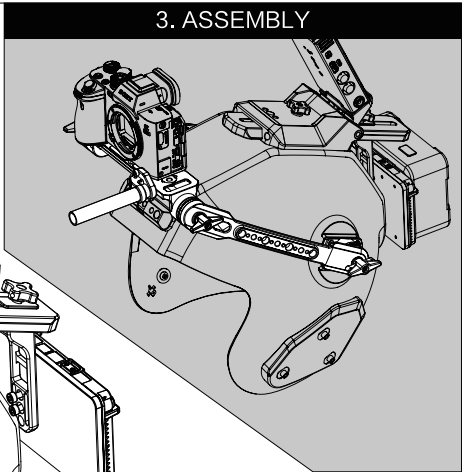
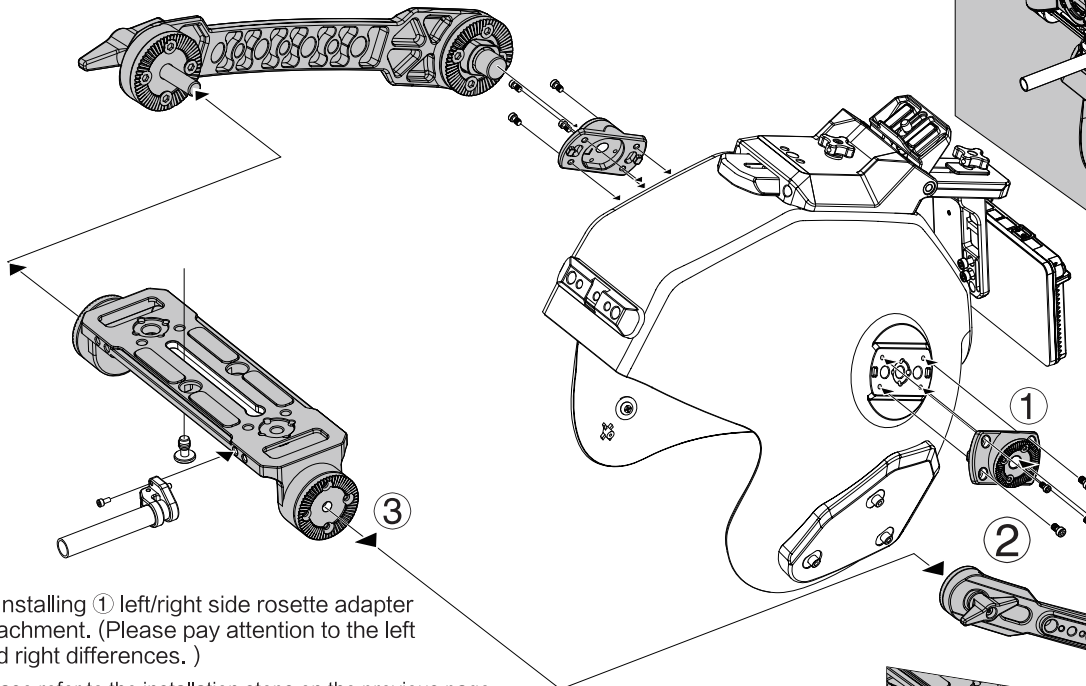
(Please choose the propriate counterweight according to the setup needs.)



3. The assembled configuration.



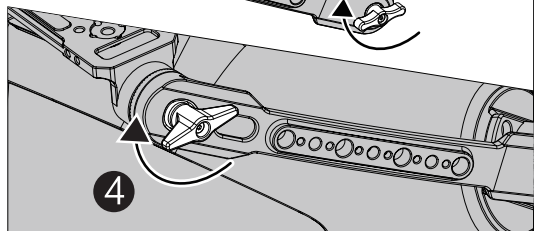
17 BASIC TOP CONFIGURATION

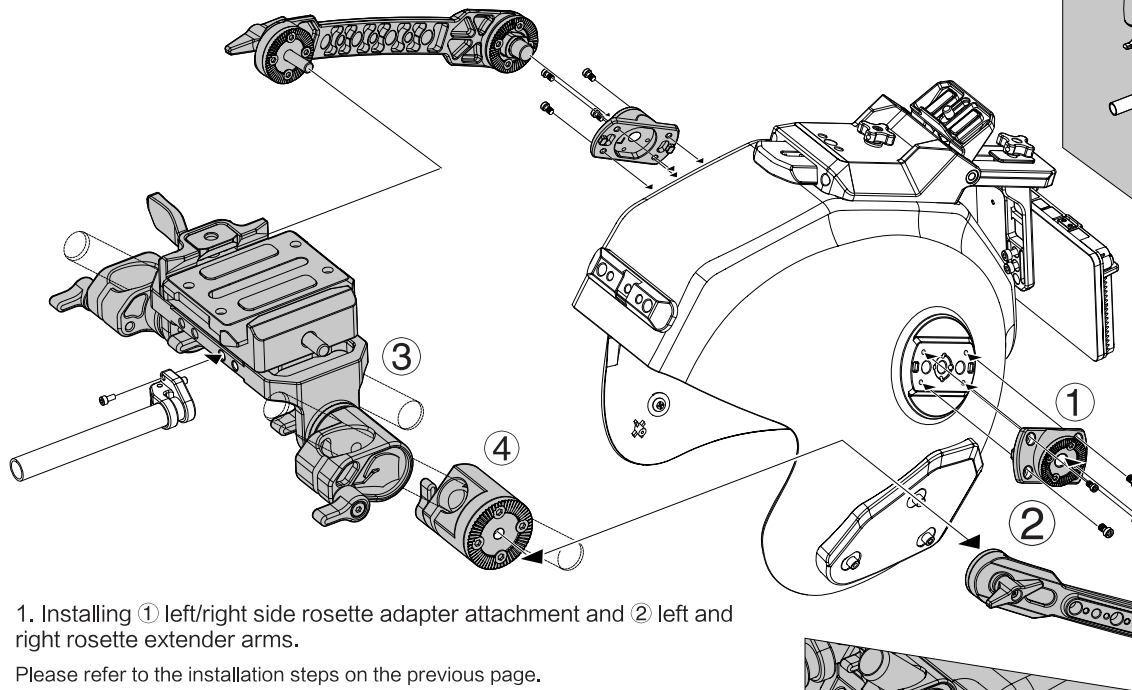


1. Installing ① left/right side rosette adapter attachment. (Please pay attention to the left and right differences.)

Please refer to the installation steps on the previous page.

2. Installing ② rosette extender arms and ③ dual rosette mounting plate. Align the rosettes on the rosettes extender arms and the rosettes on the left and right side rosette adapter attachment on the helmet. Tighten the tie down screws. Align the dual rosette mounting plate with the rosette extender arms. Tighten ④ the tie down screws to complete the top configuration.





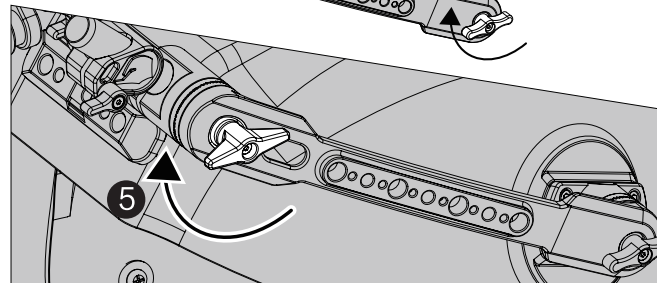
1. Installing ① left/right side rosette adapter attachment and ② left and right rosette extender arms.

Please refer to the installation steps on the previous page.

2. Installing ③ advanced baseplate configuration.

1) Connect the advanced baseplate configuration with ④ the left/right side rosette to 15mm rod holder attachment via ② the 15 × 200mm rods.

2) Place the advanced baseplate configuration in between the left and right rosette mounting arms and align the rosettes. Tighten ⑤ the tie down screws for the rosettes.



POV SUPPORT SYSTEM