

PACKING LIST



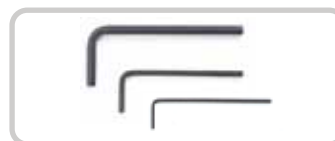
Plate



Body



Loupe



Wrench



COMPANY & INFORMATION

811 Ezen Mechazone
2979 Hagun-ri Yangchon-myeon
Gimpo-si Gyeonggi-do S.KOREA
TEL: 82-708-630-6464 / FAX: 82-2-6008-0820

www.VARAVON.com

e-mail: varavon@naver.com

MADE IN KOREA

MULTI FINDER



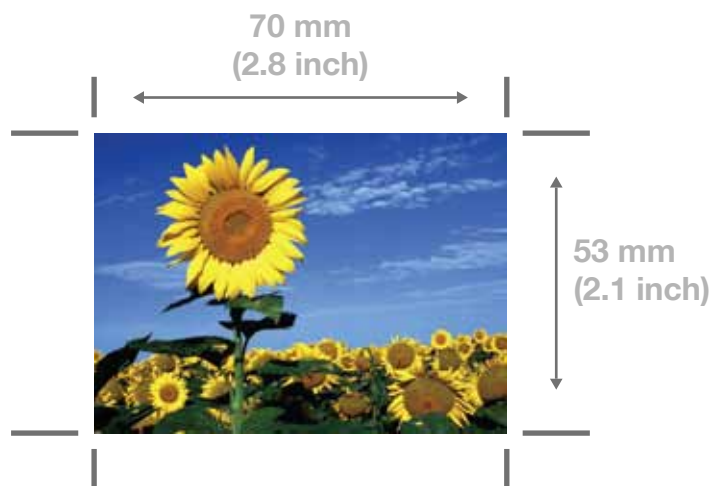
- Manual -



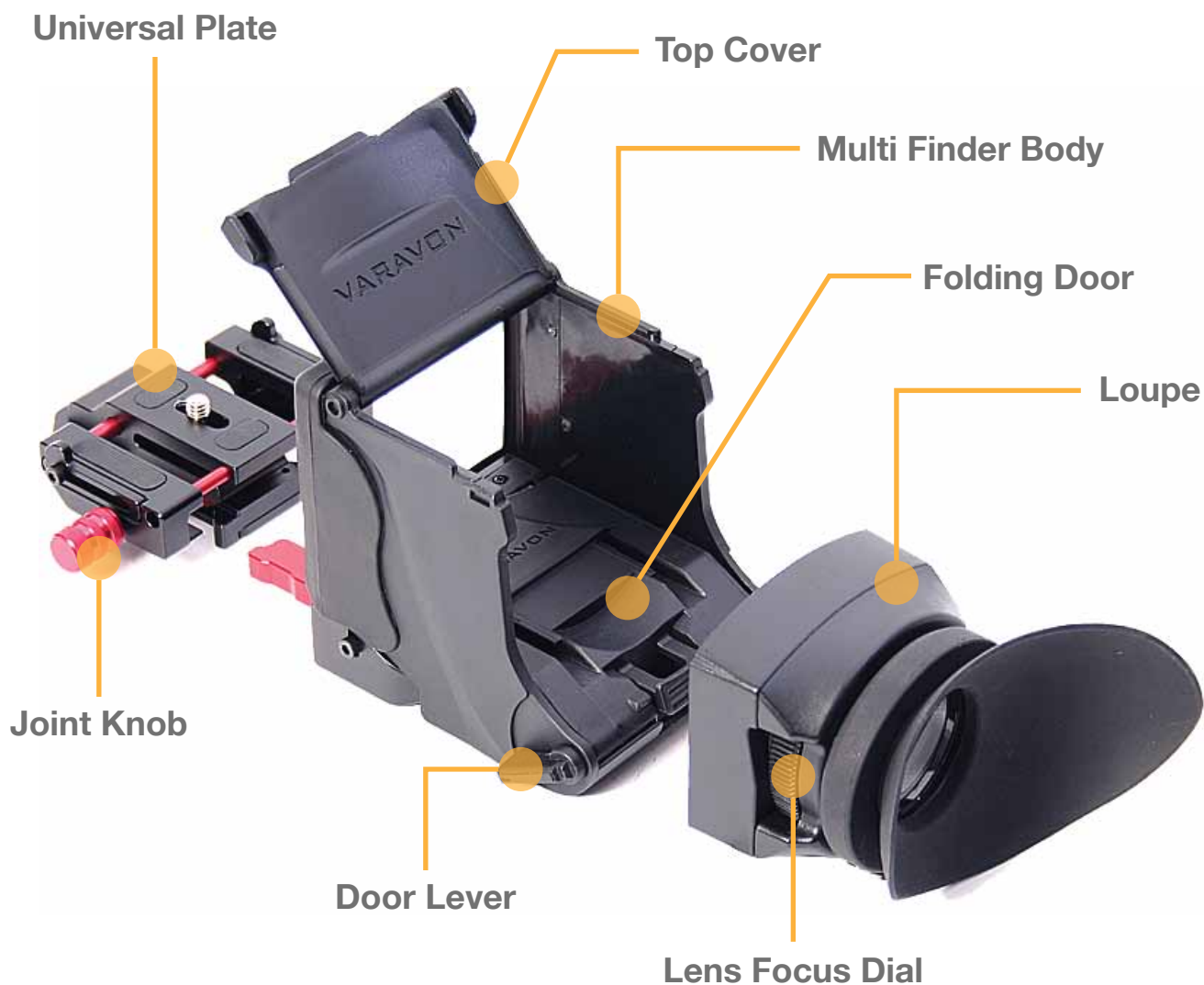
VARAVON

MODEL DETAIL

WIDE LCD BODY FRAME



Effective viewing angle



MODEL & SPECIFICATION

Front



90 mm
(3.5 inch)

95 mm
(3.8 inch)

Side



122 mm
(4.8 inch)



Total Weight : 448 g (1 lb)

200 mm
(7.9 inch)



Universal Plate



Loupe

QUICK INSTALLATION



STEP 01 The width of the LCD and aligning plate. Aligned vertically, side-by-side.



STEP 02 Tighten the moving plate fixing bolts. 1.5 wrench used.



STEP 03 Fixed camera bracket to the body fit. 2.5 wrench used.



STEP 04 Fixed to the main plate. Use the fixed dial.



STEP 05 Fixed bolts after you adjust the height. 2.5 wrench used.

MODEL FEATURES - PLATE & BODY

Universal Plate

Adjustable location move
Both of braket supported



*1/4 inch bolt fixed-dial
adjust location*



*Can be strongly fixed
wrench to fasten the dial*



*Adjust the sides to
loosen the bolt
use a wrench*



*Adjusted by
unscrewing the three
bolts under the body*



MODEL FEATURES - LOUPE

New Loupe - Dial Type Diopter



Turn the dial to set Focus adjustment



*Loupe mounted on the door groove
Easy mount and easy removable*



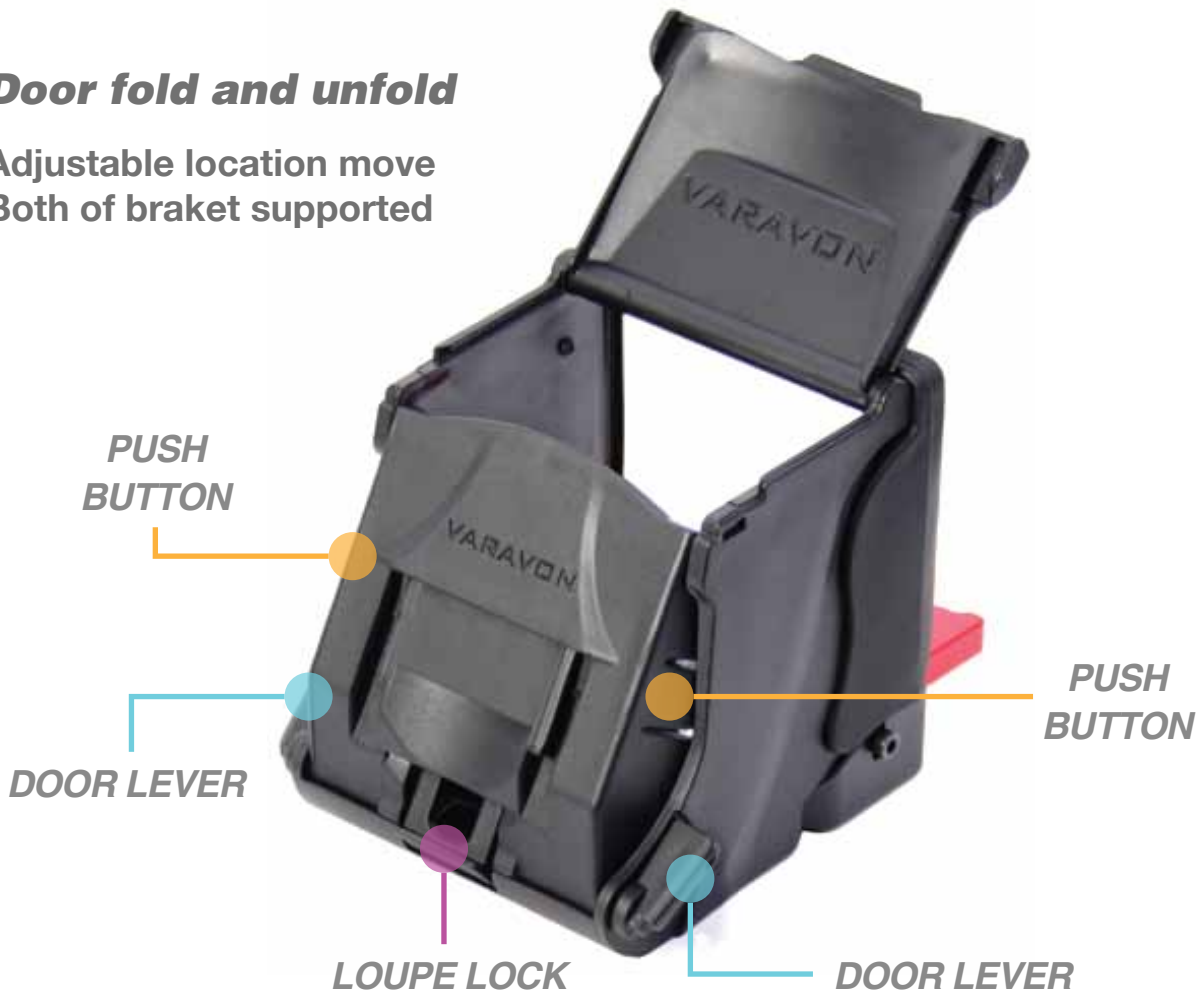
*Press the locking lever and
remove the loupe.*



PARTS USAGE GUIDE

Door fold and unfold

Adjustable location move
Both of braket supported



ATTENTION

*** Easy way to close the door ***

The body from side to side push and push the door fold



*Both push button
fold to door*

