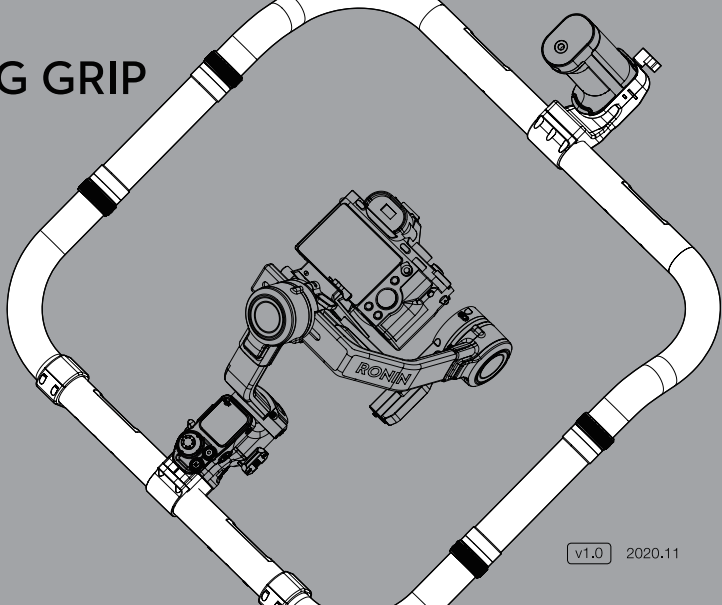


BASIC RING GRIP FOR RS 2

简易环形手持套装



TILTA

v1.0

2020.11

免责声明和警告

感谢您购买 TILTA 产品。本文所提及的内容关系到您的安全以及合法权益与责任。

使用本产品之前, 请仔细阅读本文以确保已对产品进行正确的设置。不遵循和不按照本文的说明与警告来操作可能会给您和周围的人带来伤害, 损坏本产品或其它周围的物品。本文档及本产品所有相关的文档最终解释权归 TILTA 所有。如有更新, 恕不另行通知。请访问 www.tilta.com 官方网站以获取最新的产品信息。

一旦使用本产品, 即视为您已经仔细阅读免责声明与警告, 理解、认可和接受本声明全部条款和内容。您承诺对使用本产品以及可能带来的后果负全部责任。您承诺仅出于正当目的使用本产品, 并且同意本条款以及 TILTA 制定的任何相关条例、政策和指引。

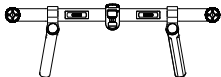
TILTA 对于直接或间接使用本产品而造成的损坏、伤害以及任何法律责任不予负责。用户应遵循包括但不限于本文提及的所有安全指引。

即使存在上述规定, 消费者权益依然受当地法律法规所保障, 并不受本免责声明影响。

TILTA 是深圳市铁头科技有限公司及其关联公司的商标。本文出现的产品名称、品牌等, 均为其所属公司的商标或注册商标。

In the Box | 物品清单

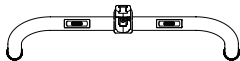
»»»



Ring Grip - Top Arm

环形手持-上臂

× 1



Ring Grip - Bottom Arm

环形手持-下臂

× 1



Remote Control Handle

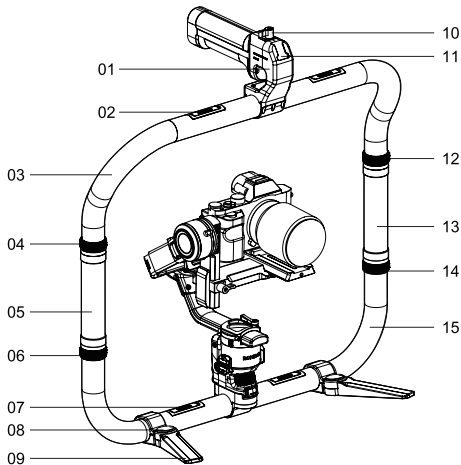
手柄

× 2

认识

专业环形手持

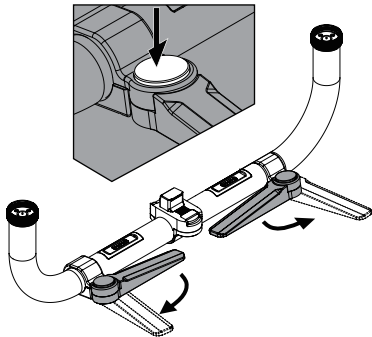
- 01. 供电手柄接驳件
- 02. 供电口-上
- 03. 环形手持-上臂
- 04. 旋钮
- 05. 手柄
- 06. 旋钮
- 07. 供电口-下
- 08. 脚架开关
- 09. 脚架



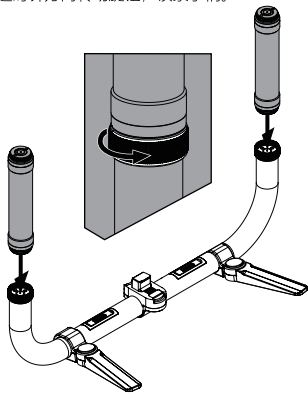
- 10. 手扭螺丝
- 11. 冷靴槽
- 12. 旋钮
- 13. 手柄
- 14. 旋钮
- 15. 环形手持-下臂

组装

1、按下圆形脚架开关，分别向外侧打开脚架。

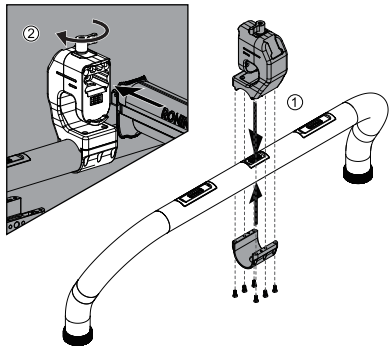


2、对准限位柱，将两个手柄分别装至环形手持-下臂
逆时针方向转动旋钮，锁紧手柄。



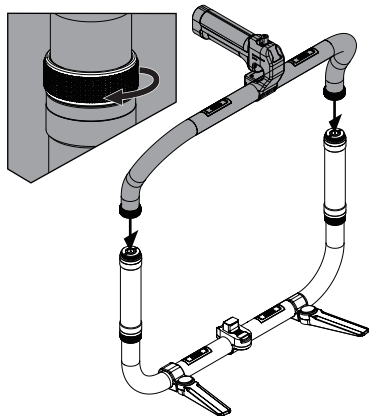
注：手柄安装有方向要求。

- 3、① 将供电手柄接驳件对准限位，安装至环形手持上臂的中心触点位置，螺丝锁紧。
② 将DJI RS 2电池手柄安装进供电手柄接驳件，旋紧手扭螺丝。



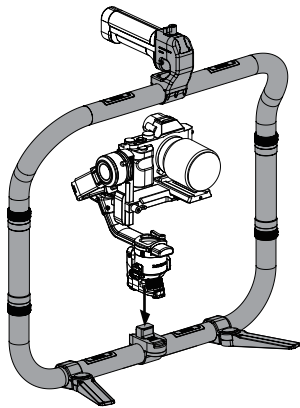
注：注意此处的安装方向。

- 4、将环形手持-上臂安装至两个手柄的上方，顺时针方向旋紧旋钮。



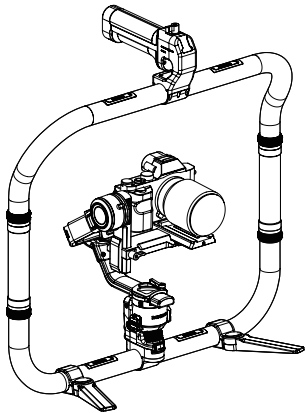
注：可以根据需要来调整安装方向。

5、将DJI RS 2安装至环形手持套装上。

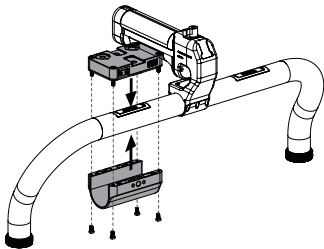


5

6、完成简易环形手持安装。

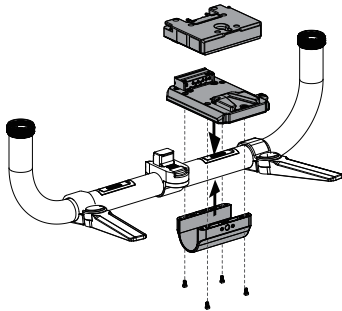


- 7、可将输出供电安装至上环臂供电口位置处，螺丝锁紧即可。
有预留冷靴口、1/4、3/8螺纹口，可以接蜗牛云台，手机支架等配件
有14.8V D-TAP供电和USB供电接口，可以给监视器和手机供电。
(选配)



注：可根据需求，自行安装。

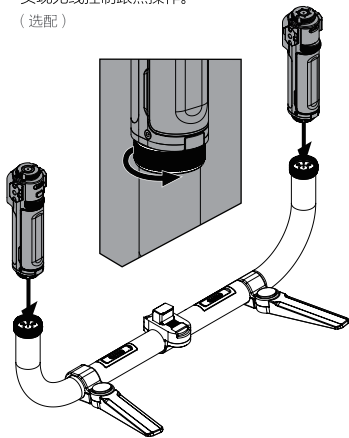
- 8、可将V口供电底座或安东口供电底座安装至下环臂供电口位置处
螺丝锁紧即可。可以实现超续航不间断供电。
(选配)



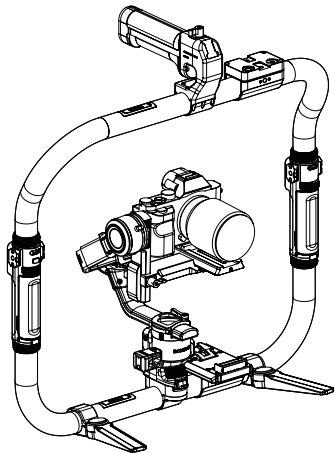
注：上下供电口位置均可安装。

9、可将控制手柄和双跟焦手柄替换简易环形手柄实现无线控制跟焦操作。

(选配)



10、完成专业环形手持安装。



DISCLAIMERS AND WARNINGS



Thank you for purchasing a TILTA product. What is mentioned in this article is related to your safety, legal rights and liabilities. Before using this product, please read this article carefully to ensure a proper configuration. Failure to follow the instructions or any disregard for the warnings may cause harm to you and other people, and may cause damage to this product and surrounding objects. TILTA owns the right to final interpretation of this document and all other collateral documents. Updates on information are subject to change without prior notice. For up-to-date product information, please visit the official website, www.tilta.com.

By using this product, you hereby signify that you have read this disclaimer and warning carefully and that you understand, agree to, and accept the terms and conditions herein. You agree that you are solely responsible for your own conduct while using this product and for any consequence thereof. You agree to use this product only for proper purposes and abide by all the terms, policies and guidelines TILTA has made and may make.

TILTA accepts no liability for damage, injury or any legal responsibility incurred directly or indirectly from the use of this product. The user shall observe safe practices including, but not limited to, those set forth in this document.

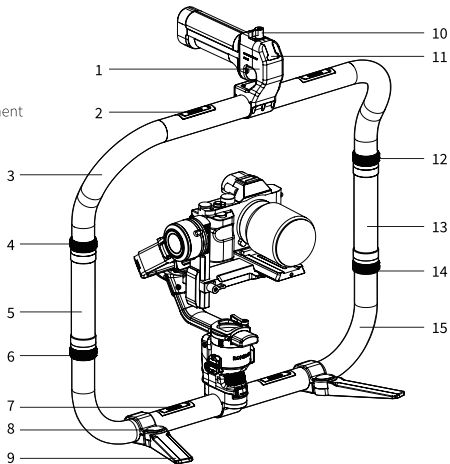
Despite the terms mentioned above, consumers' rights and interests are still protected by local laws and regulations, and are not affected by this disclaimer.

TILTA is a trademark of Shenzhen TILTA Technology Co., Ltd. and its affiliated companies. Product names and brands in this document are trademarks or registered trademarks of its affiliates.

LAYOUT

BASIC RING GRIP

- 1. Power Supply Handle Attachment
- 2. Power Port - Top
- 3. Ring Grip - Top Arm
- 4. Tie Down Ring
- 5. Handle
- 6. Tie Down Ring
- 7. Power Port - Bottom
- 8. Foot Release
- 9. Foot

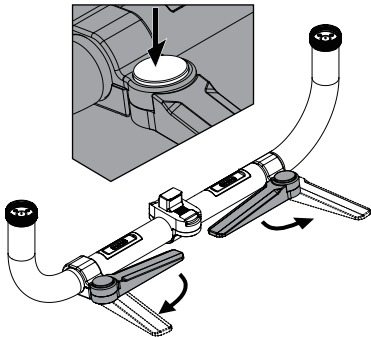


- 10. Tie Down
- 11. Cold Shoe
- 12. Tie Down Ring
- 13. Handle
- 14. Tie Down Ring
- 15. Ring Grip - Bottom

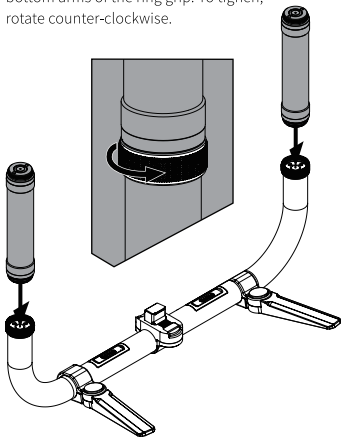
ASSEMBLY



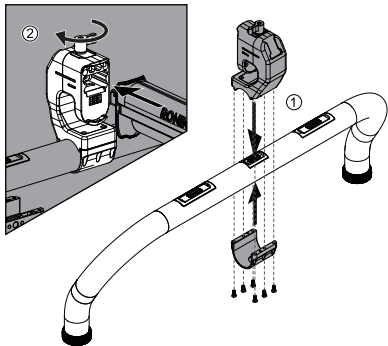
1. Press down the foot release buttons and turn the feet outwards.



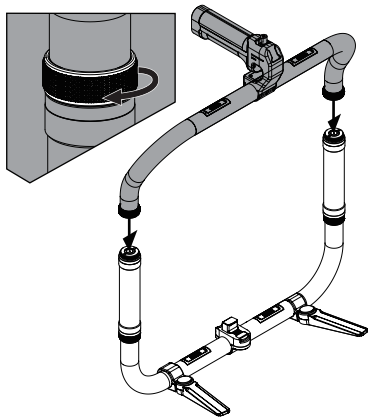
2. Align the contact points and screw on the two bottom arms of the ring grip. To tighten, rotate counter-clockwise.



- ① Align the power supply handle attachment with the locating point. Install to the center of the top arm and tighten with screws.
- ② Insert DJI RS 2 battery grip into the power supply handle attachment and tighten the tie down.



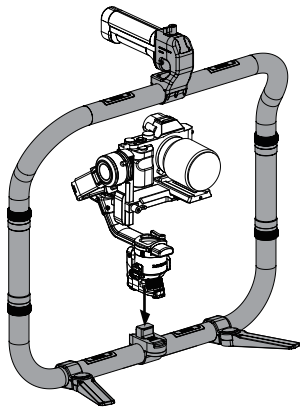
4. Attach the top arm to the two handles. To tighten, rotate clockwise .



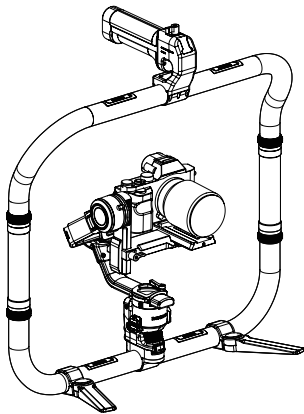
Note: The installation direction can be adjusted.

Note: The direction of handle mounting.

5. Attach DJI RS 2 to the ring grip.

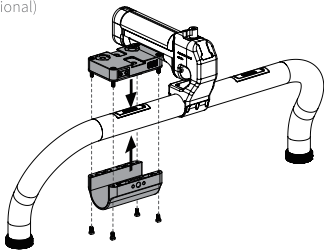


6. The basic ring grip setup is complete.

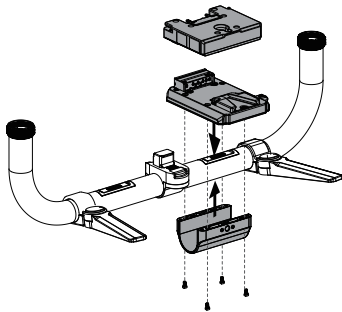


7. Attach the power supply module to the power port on the top arm. Tighten with the screws.

The built-in cold shoe, 1/4" 20, and 3/8" 16 screw points are compatible with monitor mount, phone mount, etc. The 14.8v P-tap port and USB port can power on-board monitor and phone. (Optional)



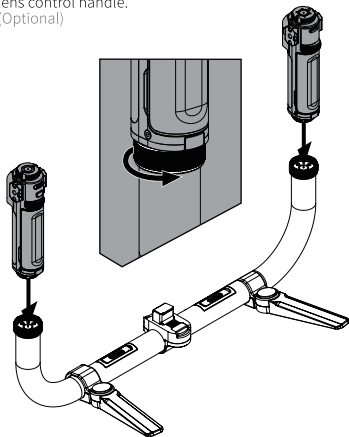
8. V-mount or gold mount battery plate can be installed to power port on the bottom arm. Tighten with the screws. Used to supply uninterrupted electric power. (Optional)



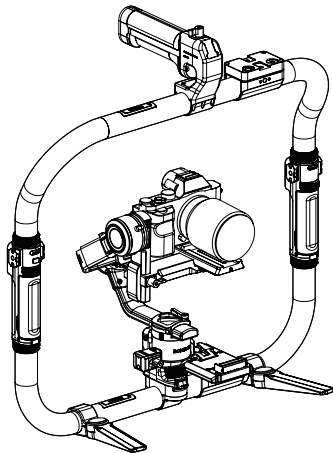
Note: Please install the accessories according to your shooting needs.

Note: This is compatible with both power ports on the top and bottom arms.

9. To control the lens wirelessly, replace the basic ring grip handles with remote control handle and dual channel wireless lens control handle.
(Optional)



10. The advanced ring grip setup is complete.



TILTA

版权由深圳铁头科技有限公司所有

需授权方可转载

本公司有权在不提前通知的情况下修改产品参数

产品尺寸仅供参考，以实物为准

TILTA 是深圳铁头科技有限公司的注册商标

官方网站: tilta.com.cn www.tilta.com

中国地址: 深圳市光明新区光侨路转7号路 侨德高新科技园B栋2楼

全国服务热线: 4006 1998 67

All copyrights belong to Tilta Technology Co. Ltd.

Written permission is needed for any reproductions.

Tilta has the right to adjust product specification without notice.

All measurements are for reference only. Please see the actual products for more details.

TILTA is a registered trademark owned by Tilta Technology Co., Ltd.

Website: www.tilta.com

US Address: 2801 W Magnolia Blvd, Burbank, CA 91505

US Contact Number: +1(818)651-4991



关注微信公众号



扫码进入官网