

User Manual



Slide Kamera HSTA-2 DUAL support provides additional support for Slide Kamera sliders mounted on Slide Kamera HST series tripods. By using HSTA-2 DUAL support we obtain a significant improvement in slider stability regardless of its position, be it horizontal, vertical or at any desirable angle. Telescopic arm design allows for arm length adjustment within the range of 485mm-735mm.

HSTA-2 DUAL support for Slide Kamera HST series tripods

Pdf version of the manual available for download: www.slidekamera.eu



Before you start your work with HSTA-2 DUAL support for Slide Kamera HST series tripods we strongly recommend to read the manual carefully. Please note that using the device in a manner inconsistent with the instructions, unauthorized repair attempts or any kind of modification of the drive can cause damage the manufacturer is not responsible for.

In case of damage during transport you are required to submit:

- proof of purchase
- protective styrofoam inserts/ fillers included in the set in case of new product delivery

If you fail to comply with the abovementioned conditions, the manufacturer reserves the right to refuse the complaint.

Photos of the products may slightly differ from the actual product due to constant modifications and improvements introduced by the manufacturer.

Slide Kamera ®

High Engineering Technology CNC s.c.
Sebastian Pawelec Karol Mikulski
Glina 45
82-522 Sadlinki
Vat Identification Number: 581-188-33-32

Slide Kamera Office
80-175 Gdańsk (Poland)
Ul. Kartuska 386

tel./fax (+48) 58 710 41 04
e-mail: biuro@slidekamera.pl / office@slidekamera.eu
www.slidekamera.pl / www.slidekamera.eu

Table of contents

1. Elements and construction of HSTA-2 DUAL support for Slide Kamera HST series tripods.....	3
2. Compatible equipment and additional accessories.....	4
3. Specification.....	5
4. Product description.....	6
5. Mounting HSTA-2 DUAL support on Slide Kamera HST series tripods.....	7
5.1. Mounting spacer plate, video head and the slider.....	7
5.2. Mounting individual elements of HSTA-2 DUAL support.....	8
5.3. Mounting Slide Kamera slider horizontally and at a small angle with the use of Slide Kamera HSTA-2 DUAL support.....	10
5.4. Mounting Slide Kamera slider vertically and at a considerable angle with the use of Slide Kamera HSTA-2 DUAL support.....	11
6. Transport.....	12
7. Maintenance.....	12
8. Terms of warranty.....	13

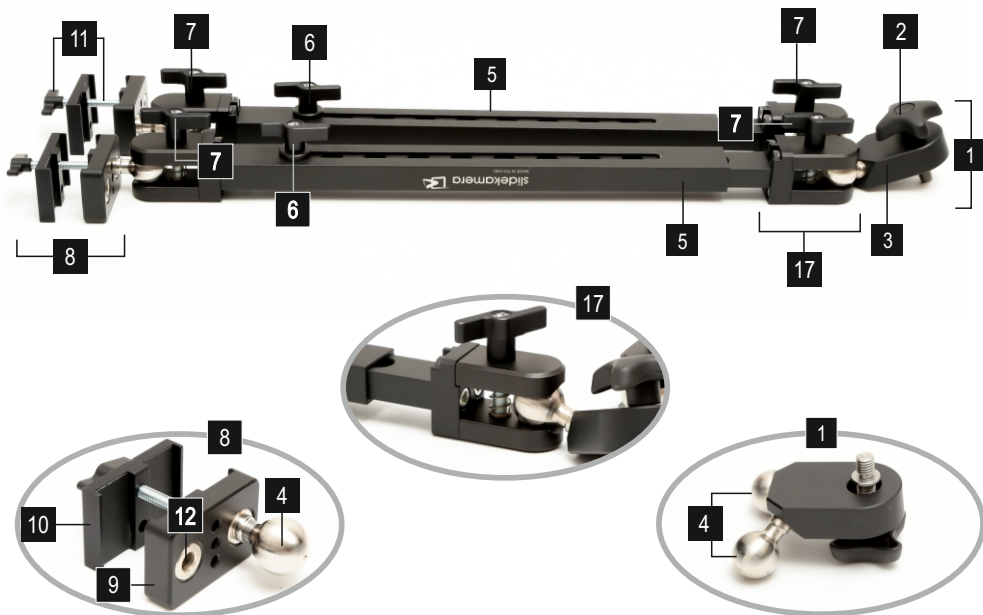
1. Elements and construction of HSTA-2 DUAL support for Slide Kamera HST series tripods

Once you receive the shipment please make sure that all the elements of HSTA-2 DUAL support for Slide Kamera HST series tripods are inside.

HSTA-2 DUAL set includes:

- telescopic aluminium arms
- clamping knob with a clamp for mounting HSTA-2 DUAL support to the slider
- two clamps that mount the support on tripod legs
- spacer plate for mounting slider vertically
- reduction AF-11 LG 1/4 " - 3/8" mandrel
- user manual

Slide Kamera HSTA-2 DUAL support construction:



Spacer plate:



- Clamp that mounts HSTA-2 DUAL support to the slider [1]
- Clamping knob with 3/8" screw (screwed into AF-8 lower port of Slide Kamera slider) [2]
- Clamp mounting plate [3]
- Ball joints [4]
- Telescopic aluminium arm [5]
- Arm slide clamping knob [6]
- Clamping knobs that block the ball joints [7]
- Clamps for mounting the support on tripod legs [8]
- Mounting plate [9]
- Fixing plate [10]
- Clamping knob [11]
- 3/8" mounting hole [12]
- Spacer plate for mounting the slider vertically [13]
- 3/8" mounting hole [14]
- AF -11 LG reduction 1/4" -3/8" mandrel [15]
- Knob with 3/8" screw for attaching video head [16]
- Ball joint clamp [17]

2. Compatible equipment and additional accessories

Slide Kamera sliders:

- S series sliders BASIC/PRO [1]
- SP series sliders BASIC/PRO [2]
- HSK series sliders BASIC STANDARD/PRO

Available lengths of S series sliders:
980mm, 1500mm.
NOTE: slider is being phased out.



Available lengths of SP series sliders:
600mm, 1000mm.



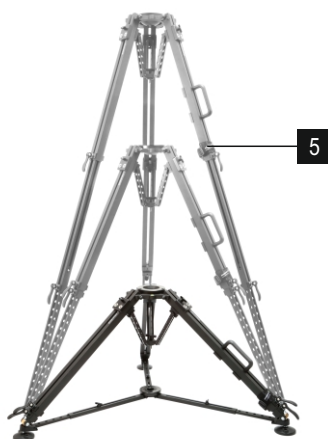
Available lengths of HSK series sliders: 1000mm, 1500mm, 2000mm.

Depending on the model sliders are equipped with proper side feet: BASIC, STANDARD or PRO.

Slide Kamera tripods:

HST-2 700/920 tripod [4]

HST-3 tripod [5]



Additional accessories:

Slide Kamera AF-17 articulated arm [6]

11" Magic Arm articulated arm [7]

Manfrotto 520BALL/BALLSH leveling half ball 75mm [8]

Manfrotto 500BALL/BALLSH leveling half ball 100mm [9]

Slide Kamera HSZ-2 quick mounting screw [10]



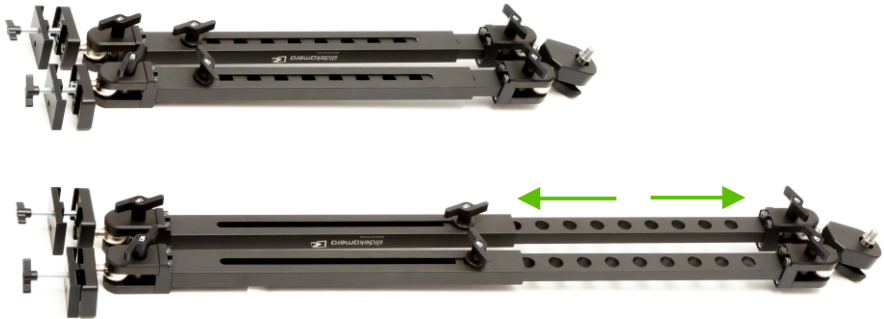
3. Specification

Application:	Prevents the tripod and the slider from any unnecessary movement in two planes, thus ensuring excellent bracing of the tripod.
Dimensions:	Minimum length: 485mm Maximum length: 735mm
Weight:	2,5kg
Mounting holes:	Two 3/8"holes
Material:	Aluminium

4. Product description

Slide Kamera HSTA-2 DUAL support provides additional support for Slide Kamera sliders (long models especially) mounted on Slide Kamera HST series tripods. By using HSTA-2 DUAL support we obtain a significant improvement in slider stability regardless of its position, be it horizontal, vertical or at any desirable angle. Double arm design of HSTA-2 DUAL support prevents the tripod and the slider from any unnecessary movement in two planes, thus ensuring excellent bracing of the tripod. HSTA-2 DUAL support can be mounted in any place on the upper section of tripod leg.

HSTA-2 DUAL support consists of two telescopic aluminium arms that allow for arm length adjustment within the range of 485mm-735mm. Ball joints at both ends of each arm provide fast and accurate deflection of the device in any chosen direction.



Clamps that mount HSTA-2 DUAL support to the tripod are equipped with hardened inserts with 3/8" holes that allow you to mount additional photo-video accessories on Slide Kamera HST series tripod, thus increasing functionality of our tripod.

In case of mounting the slider vertically or at a considerable angle it is necessary to use a set presented below. Failing to comply with this recommendation can cause damage Slide Kamera manufacturer is not responsible for.

When mounting Slide Kamera slider vertically or at a certain angle it is necessary to use:

- professional video head with flat base (3/8" connection)
- Manfrotto 500 BALL/BALLSH 100mm or 520BALL/BALLSH 75mm half ball that allows you to level the set, or alternatively Slide Kamera HSZ-2 quick mounting screw that provides rigid mounting however without leveling possibility
- Slide Kamera HST series tripod
- spacer plate (comes with HSTA-2 DUAL support) that provides a distance between the slider and a tripod, thus eliminating the risk of hitting the tripod with the rail of the slider

5. Mounting Slide Kamera HSTA-2 DUAL support on HST series tripod

Slide Kamera HSTA-2 DUAL support is designed for mounting on Slide Kamera HST series tripods. Method of mounting in case of HST-2 and HST-3 tripod is the same. Instructions and explanations presented in following chapters contain set of guidelines recommended by the manufacturer on how to properly mount HSTA-2 DUAL support on Slide Kamera HST series tripod. Please note that mounting and using the device in a manner inconsistent with the instructions can cause damage Slide Kamera manufacturer is not responsible for.

5.1. Mounting spacer plate, video head and the slider

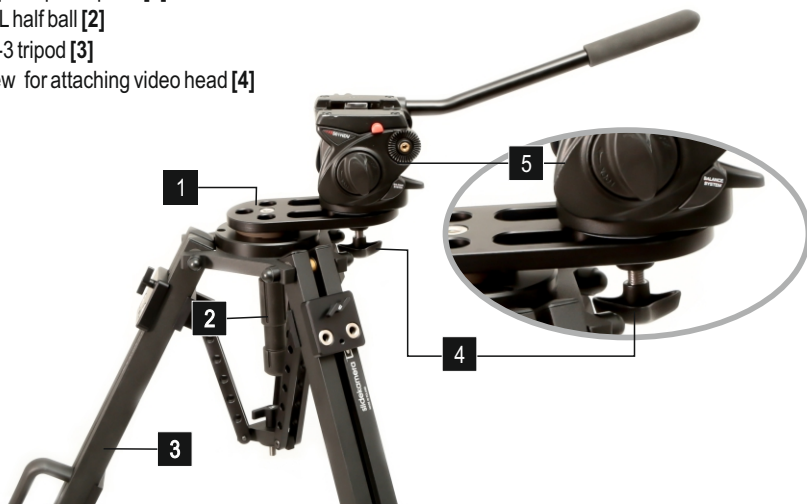
In case of mounting slider vertically or at a considerable angle it is necessary to use spacer plate. Failing to comply with this recommendation can cause damage Slide Kamera manufacturer is not responsible for.

When mounting the slider vertically, or at a considerable angle, there is a risk of hitting the tripod with the rail of the slider. Using spacer plate allows you to safely tilt the slider at any desirable angle without worrying about any damage to the equipment.

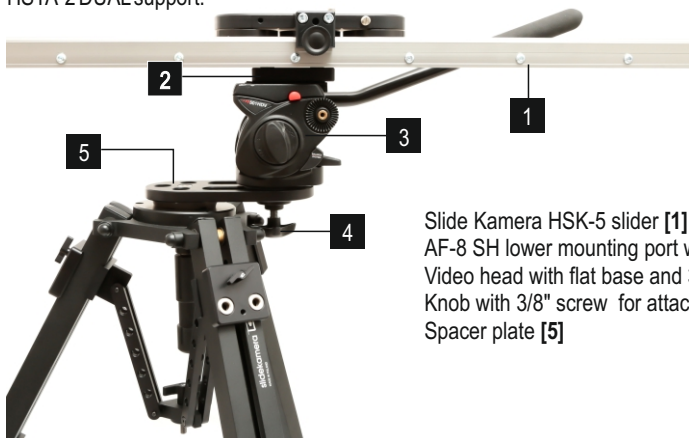
In case you want to set or mount the slider horizontally there is no need to remove the spacer plate. When mounting the slider horizontally you can use spacer plate as well.

HSTA-2 DUAL support spacer plate should be mounted using Manfrotto 500 BALL/BALLSH 100mm or 520BALL/BALLSH 75mm half ball that allows you to level the set, or alternatively Slide Kamera HSZ-2 quick mounting screw that provides rigid mounting however without leveling possibility.

HSTA-2 DUAL support spacer plate [1]
Manfrotto 520 BALL half ball [2]
Slide Kamera HST-3 tripod [3]
Knob with 3/8" screw for attaching video head [4]
Video head [5]



After attaching video head to the spacer plate, mount the slider. A detailed description on how to mount sliders on video heads can be found in user manuals for individual sliders. You can also download manuals: www.slidekamera.eu or www.slidekamera.com. Once you've assembled the whole set, you can safely attach HSTA-2 DUAL support.



- Slide Kamera HSK-5 slider [1]
- AF-8 SH lower mounting port with 3/8" and 1/4" holes [2]
- Video head with flat base and 3/8" connection [3]
- Knob with 3/8" screw for attaching video head [4]
- Spacer plate [5]

In order to maintain better stability of a tripod it is crucial to set a proper load centre. Note that the spacer plate should be set in the opposite direction to HSTA-2 DUAL support.



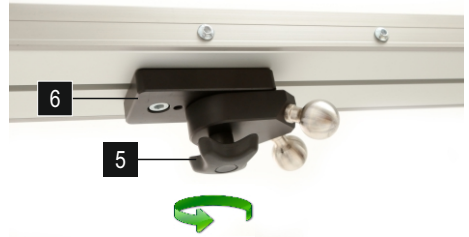
5.2. Mounting individual elements of HSTA-2 DUAL support

Once you have mounted Slide Kamera slider on HST series tripod, you can proceed to mounting HSTA-2 DUAL support. Mounting the support on both Slide Kamera HST-2 and HST-3 tripod is the same. First of all, loosen all clamping knobs that block the ball joints in order to disconnect the arm from the clamps.

Under no circumstances should you mount the support from the inside of the tripod!



- Clamps for mounting the support on tripod legs [1]
- Claming knobs that block ball joints [2]
- Arm slide claming knob [3]
- Clamp that mounts HSTA-2 DUAL support to the slider [4]
- Clamping knob with 3/8" screw (screwed into AF-8 lower port of Slide Kamera slider) [5]
- AF-8 SH lower mounting port [6]
- Clamping knob [7]

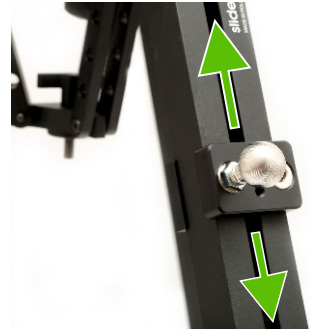


Attach the clamp that mounts HSTA-2 DUAL support to the slider by screwing a clamping knob with 3/8" screw into 3/8" mounting hole of AF-8 SH or LG lower port (depending on which port you are using).

Next mount the clamps that mount the support to the tripod legs. You can place the clamp in any desirable place on the upper section of the tripod leg.

Please note that HSTA-2 DUAL support can be mounted in any place only on the upper section of tripod leg.

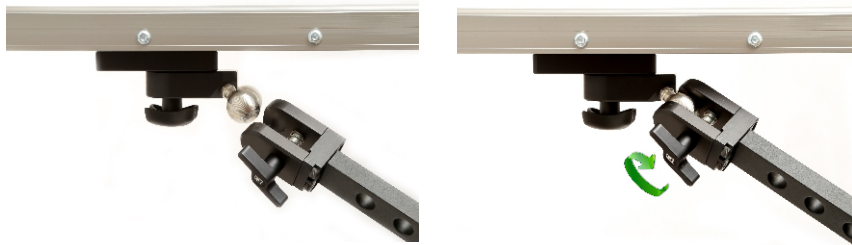
Secure the clamps by tightening the knob from inside the tripod leg.



After attaching all mounting elements to the tripod and the slider, mount the arm of the support. First, mount the arm to the tripod clamp. This will allow you to comfortably set and position the arm. Attach ball joint clamp to the ball joint and tighten the clamping knob.



Once you attach the clamp to the ball joint, loosen arm slide clamping knob. This will allow you to extend the arm at a suitable length. Attach ball joint clamp to the ball joint and tighten the clamping knob.



Mount second arm of the support by repeating all the steps described above. After attaching the arms, set the slider and support in a desired position and lock all knobs in order to ensure rigid and stable mounting of the support. When you change the position of the slider in the vertical axis simply loosen the arm slide clamping knobs and adjust the appropriate arms length. Lock the knobs afterwards.

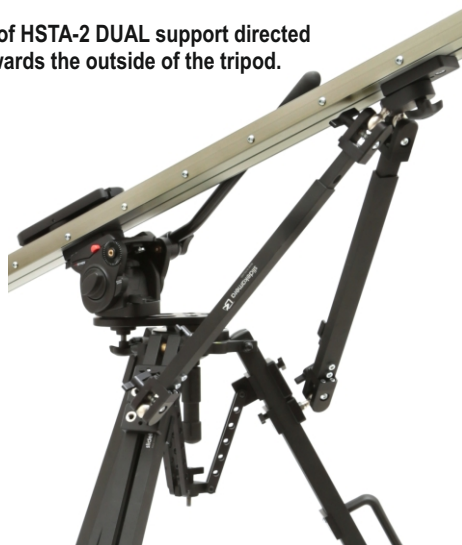
**REMEMBER TO ONLY LOOSEN ALUMINIUM KNOBS OF THE SUPPORT.
NEVER REMOVE THE KNOBS.**

5.3. Mounting Slide Kamera slider horizontally and at a small angle with the use of Slide Kamera HSTA-2 DUAL support

HSTA-2 DUAL support provides various mounting configuration possibilities as you can see in the photos below. Telescopic construction of HSTA-2 DUAL support allows you to support sliders of various lengths. Photos below present HSK-5 1500mm slider mounted horizontally or at a small angle on HST-3 tripod.



Arms of HSTA-2 DUAL support directed towards the outside of the tripod.





Tripod leg located between HSTA-2 DUAL support arms.



5.4. Mounting Slide Kamera slider vertically and at a considerable angle with the use of Slide Kamera HSTA-2 DUAL support

HSTA-2 DUAL support provides various mounting configuration possibilities as you can see in the photos below. Telescopic construction of HSTA-2 DUAL support allows you to support sliders of various lengths. Photos below present HSK-5 1500mm slider mounted vertically or at a considerable angle on HST-3 tripod.



Arms of HSTA-2 DUAL support directed towards the outside of the tripod. The best and most recommended setting when mounting the slider vertically on the tripod.



Tripod leg located between HSTA-2 DUAL support arms.



6. Transport

Transport HSTA-2 DUAL support for Slide Kamera HST series tripods with arms folded with knobs and clamps tightened. During transportation it is crucial to secure the device in the most effective way so that all the elements of the support are protected against damage.

7. Maintenance

- Kamera HSTA-2 DUAL support are reduced to keeping the equipment clean.
- Use professional maintenance products for this type of equipment, such as Dry Lube with Teflon or antistatic cloth.
- HSTA-2 DUAL support does not need any additional service or lubrication of the components.
- Never use abrasive or caustic products, which could cause damage of the protective coatings.
- Use compressed air to remove any impurities.

**Any changes in the design and repairs are made only and exclusively by the manufacturer.
Failure to comply with the recommended guidelines outlined in this manual
will result in loss of warranty.**

8. Terms of warranty

All Slide Kamera products are covered manufacturer's warranty for a period of 12 months from the date of sale. Warranty covers any design faults or of the material of the product which resulted in the product malfunctioning. The warranty covers the repair, or, if the repair proves impossible, replacement of the product with a new one. However, the cost of repair of the product cannot overrun the catalogue value of the product. The warranty does not cover damage and / or product defects resulting from the improper usage, as well as not following product maintenance specifications.

The warranty excludes:

- unauthorized attempts to repair or modify
- mechanical damage caused during transport and operation of such features, scratches, dents, pits, dirt, etc ...
- flooding, moisture

To obtain warranty service the purchaser should deliver the damaged product together with a proof of purchase and proof of payment (invoice, cash register receipt). The product will be accepted for warranty service on condition that it will be delivered with correctly **filled in complaint form** and properly protected during transport. You can download the complaint form from: www.slidekamera.pl / www.slidekamera.eu.

After the warranty period is exceeded any spare parts can be purchased directly from the manufacturer or in any selected points of sale.

The manufacturer runs also a post warranty service: HET-CNC s.c., 80-175 Gdańsk (Poland), Ul. Kartuska 386

