

USER MANUAL

NANLUX

INNOVATE · ILLUMINATE

Evoke 1200

LED SPOT LIGHT

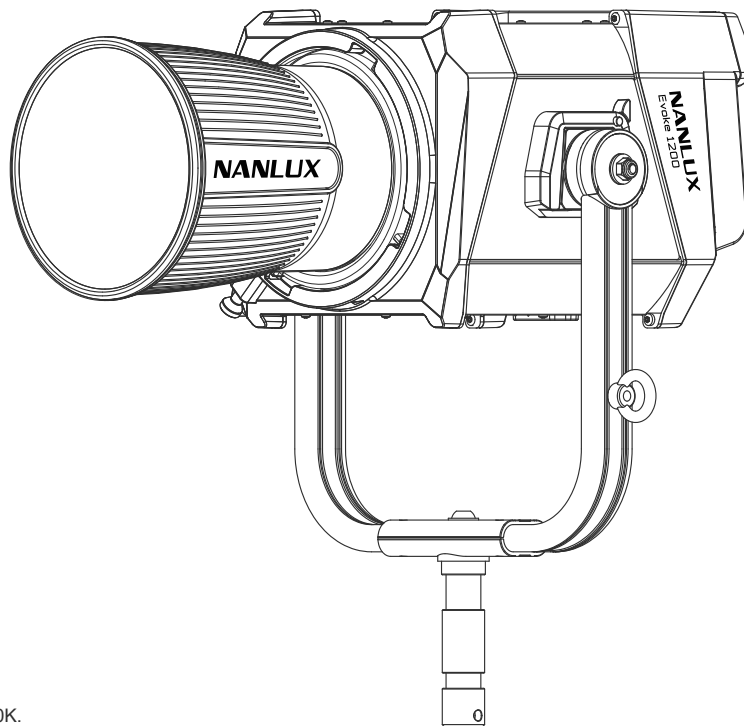
WWW.NANLUX.COM

Contents

Product Diagram	01	① DAYLIGHT Key	27
Technical Data	01	2. EFFECT Key	28
Product Details	02	3. MENU Key	42
Detailed Description	03	① ADDRESS/DMX	42
Usage		② WIRELESS PROTOCOL	42
1. Connection between the Light Fixture and Power Supply	04	③ LUMENRADIO SETTINGS	42
2. Installation and Detachment of Yoke	06	④ FAN CONTROL	43
3. Installation and Detachment of Reflector	10	⑤ ROTATE SCREEN	44
4. Installation of FL-35 Fresnel Lens and the Barndoor	11	⑥ SCREEN BRIGHTNESS	45
Remote Control		⑦ BUTTON BACKLIGHT	46
1. ADDRESS/DMX	14	⑧ LANGUAGE	47
2. DMX Remote Control	17	⑨ VERSION	48
3. 2.4G Remote Control	19	4. LOCK Key	48
4. RDM Remote Control	20	Safety Precautions	49
5. LUMENRADIO Remote Control	21	Notice	49
Operating Instructions		General Fault Detection and Diagnosis	49
1. Screen Interface Display Instructions	27	Product Includes	50

Evoked 1200 LED Spot Light

■ Product Diagram



■ Technical Data

Rated power: 1200W

Input voltage/current: DC48V/25A Max

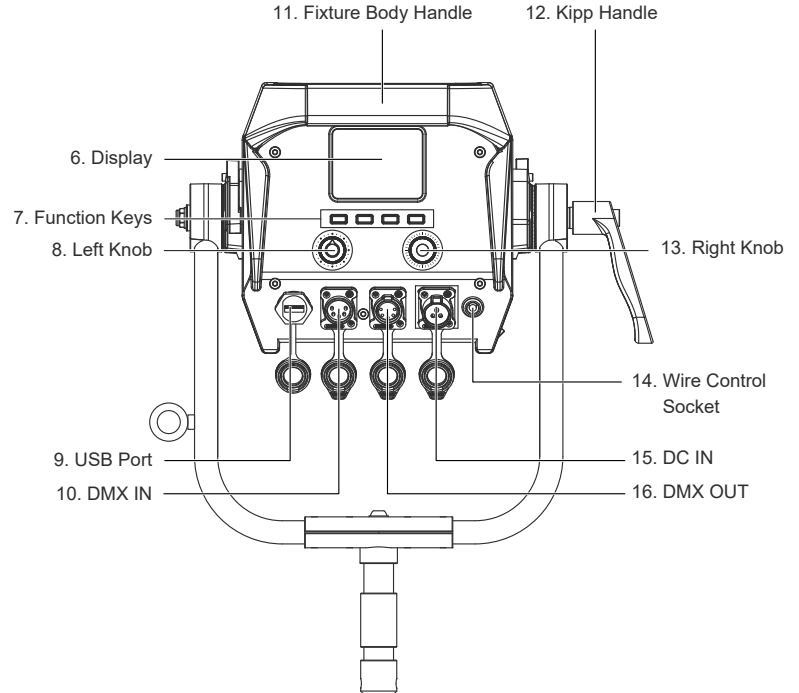
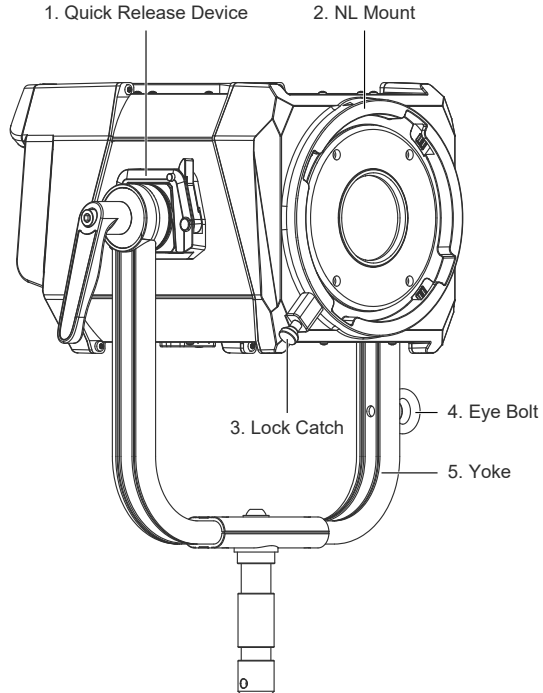
AC100-240V 50/60Hz

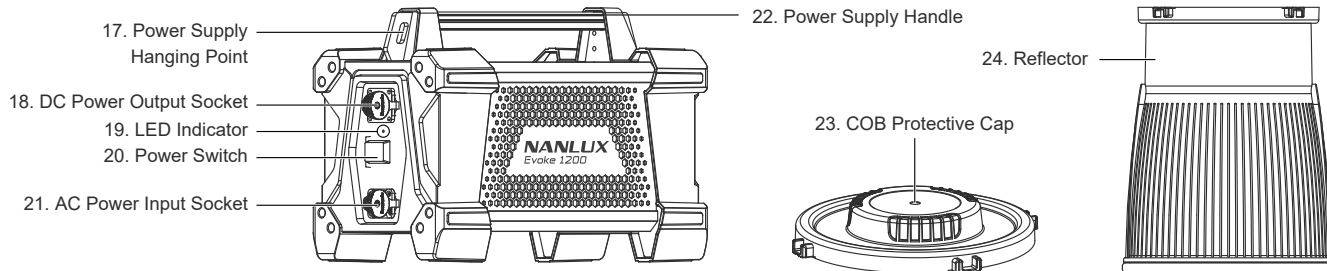
CRI: 96

TLCI: 97

This manual applies to the light fixtures in 5600K and 3200K.

Product Details





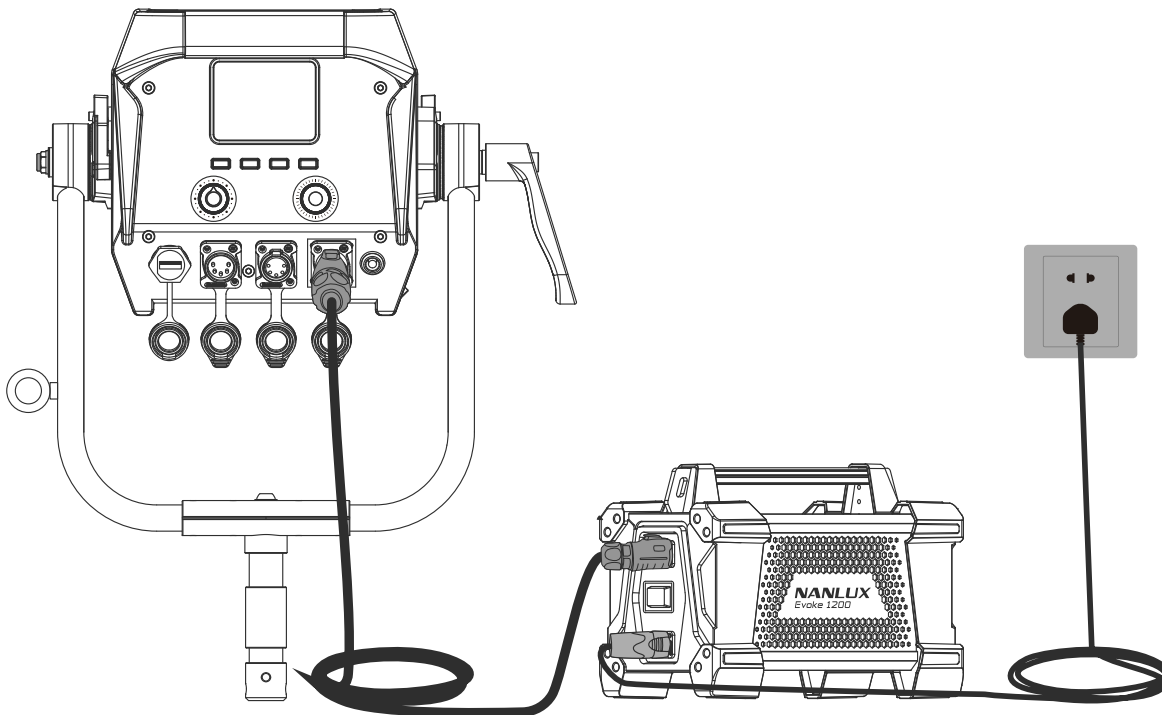
Detailed Description

1. Quick release device: For quick installation and detachment of yoke.
2. NL mount: For installation of reflector or other NL mount accessories.
3. Lock catch: To lock or release the reflector or other accessories.
4. Eye Bolt: For hanging safety rope.
5. Yoke: Mount the fixture on a stand, pan and tilt.
6. Display: To display data.
7. Functions keys: Including DAYLIGHT, EFFECT, MENU and LOCK.
8. Left knob: For adjusting brightness and other parameters.
9. USB port: For updating firmwares or connecting USB cable to external devices with maximum current of 5V/1A.
10. DMX IN: DMX signal input interface.
11. Fixture body handle: Adjust the direction of the fixture.
12. Kipp handle: Tighten or release the tilt movement of the fixture on the yoke.
13. Right knob: For selecting options.
14. Wire control socket: Wire control Interface.
15. DC IN: DC power input interface.
16. DMX OUT: DMX signal output interface.
17. Power supply hanging point: For safely hanging the power supply.
18. DC power output socket: For connecting the fixture to the power supply with DC cable.
19. LED indicator: For determining the status of power input. Being on, power supply normal; Flashing or being off, power supply abnormal or no power input.
20. Power switch: To turn on/off the fixture.
21. AC power input socket: For connecting AC power supply.

- 22. Power supply handle: For lifting the power supply.
- 23. COB protective cap: When not using the fixture, cover with the cap for protection.
(Note: Take off the cap before using.)
- 24. Reflector: For concentrating light to improve central illumination.

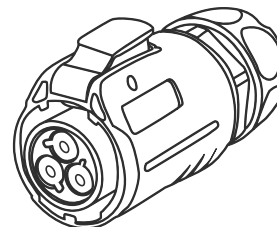
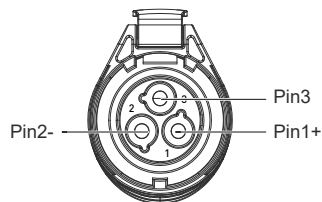
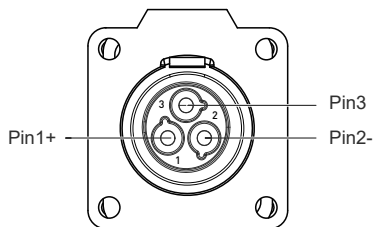
Usage

1. Connection between the Light Fixture and Power Supply



▲ Note:

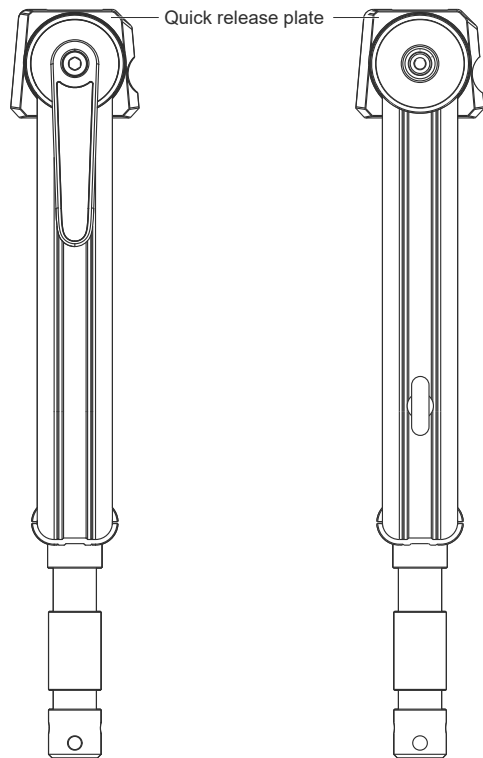
- ① When connecting the power supply, please make sure the power, voltage and frequency are consistent with the provided power supply
- ② Make sure to use the provided power supply and power cable. The connection between the DC plug and the DC IN power input socket on the fixture should be connected as following.



- Pin1+: Connect with power supply +
- Pin2-: Connect with power supply -
- Pin3: Grounding wire

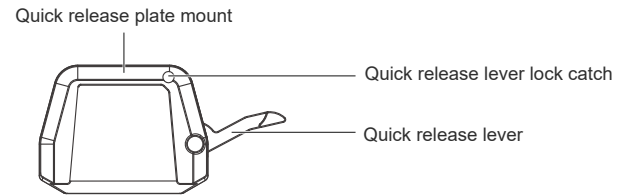
2. Installation and Detachment of Yoke

① Quick release yoke diagram

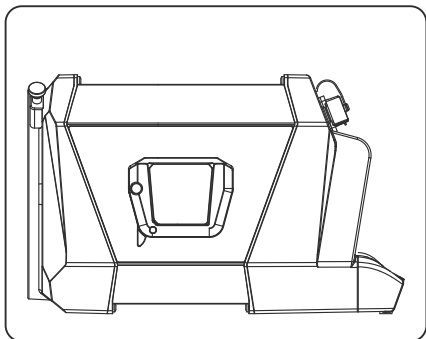


The side with kipp handle

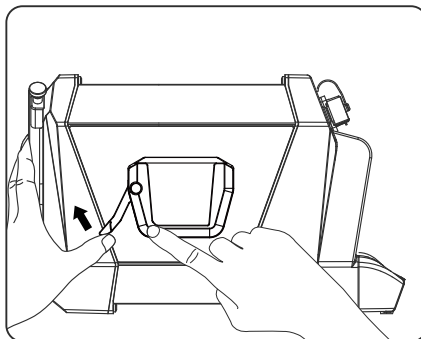
The side with damping



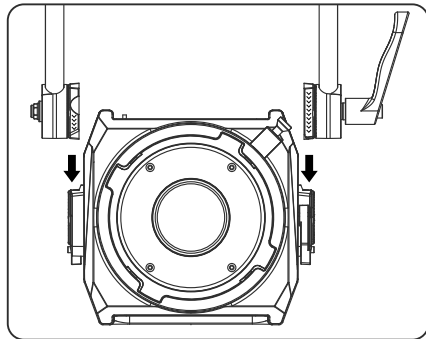
② Installation of Yoke (Method One)



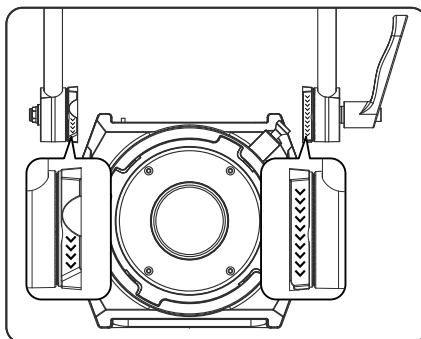
Lay the light fixture, bottom up, on flat ground.



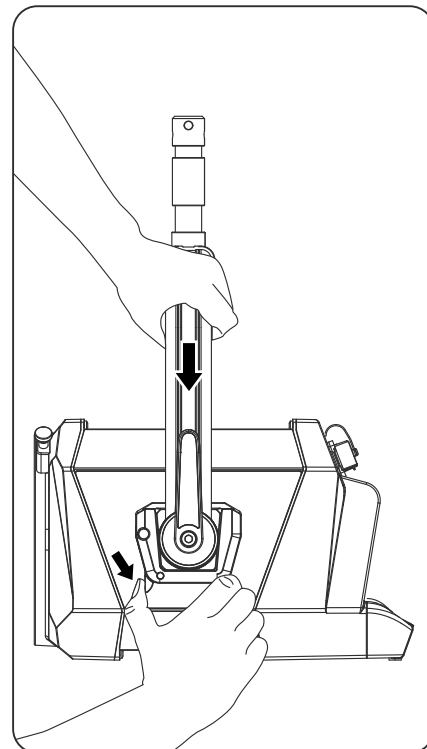
Press the quick release lever lock catch to release it.
Pull the quick release lever.



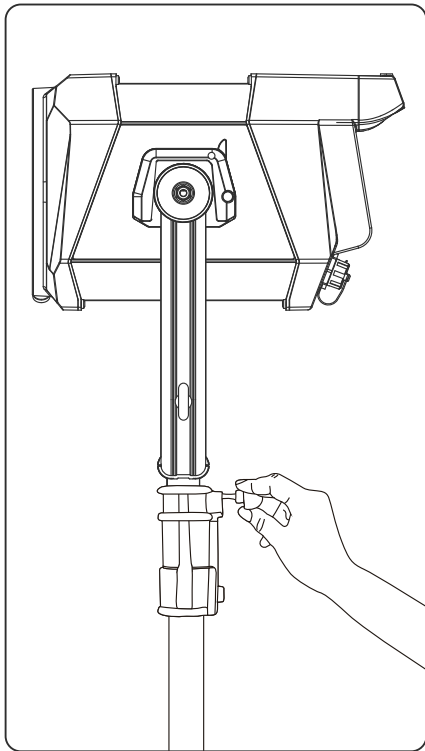
Align and insert the quick release plates to both mounts of the light fixture.



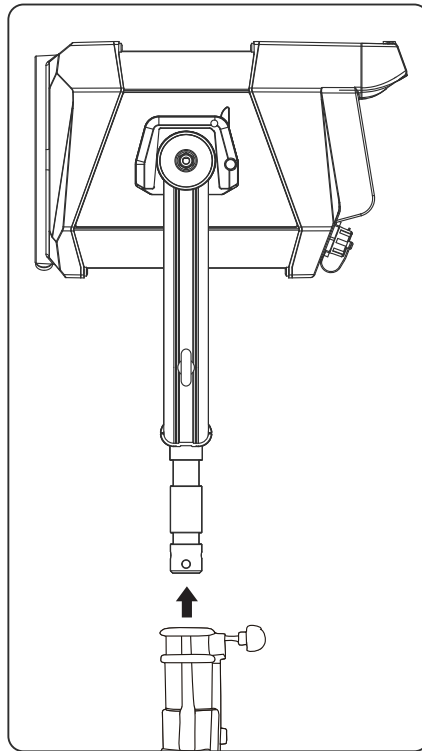
(Note: When installing the quick release plate, please adjust the plate to right directions, then insert them into the mount.)



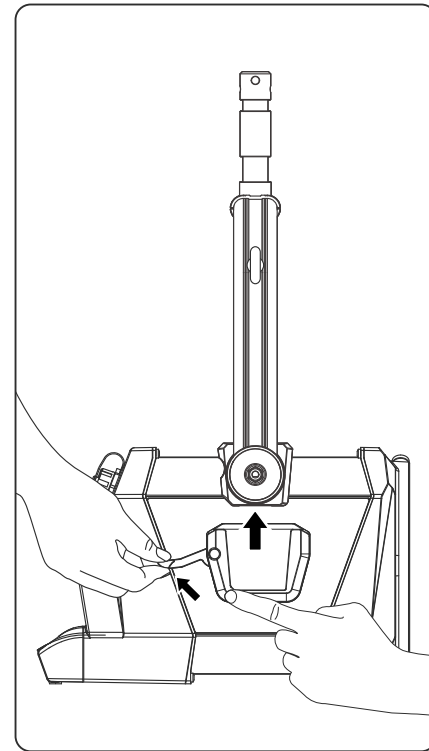
Firmly holding the yoke in place with one hand, pull the quick release lever with the other hand to lock the plate.



Mount the yoke on heavy-duty light stand. Secure the fixture by locking the fastening screws on the stand.

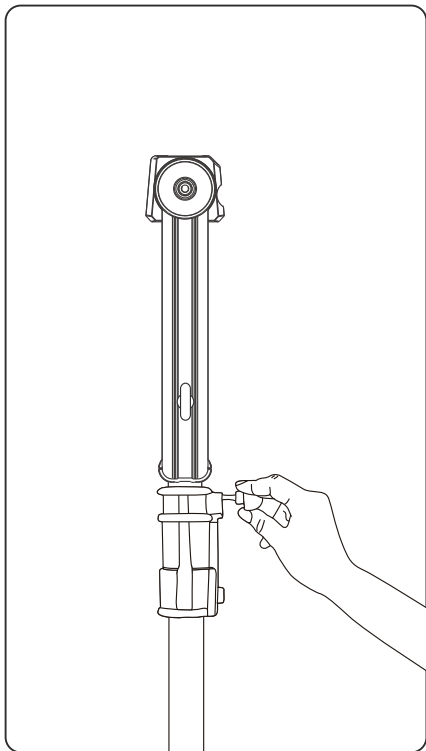


When removing the yoke, remove the fixture from the heavy-duty light stand first and lay it down on flat ground.

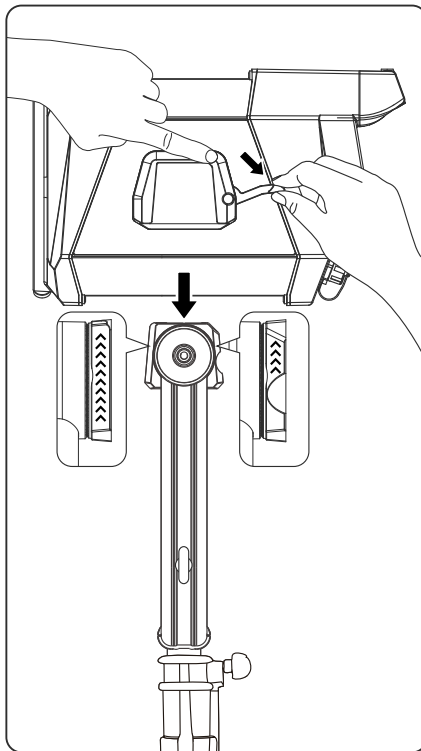


Press the quick release lever lock catch of the fixture on both sides, then release the quick release lever to remove the fixture.

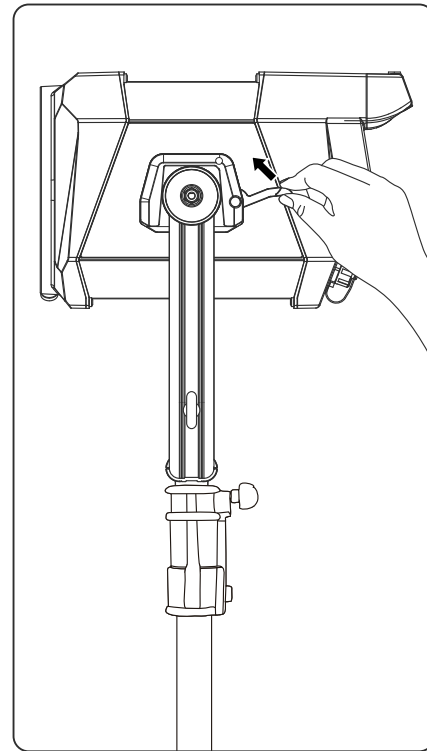
③ Installation of Yoke (Method Two)



Mount the yoke on heavy-duty light stand. Secure the fixture by locking the fastening screws on the stand.

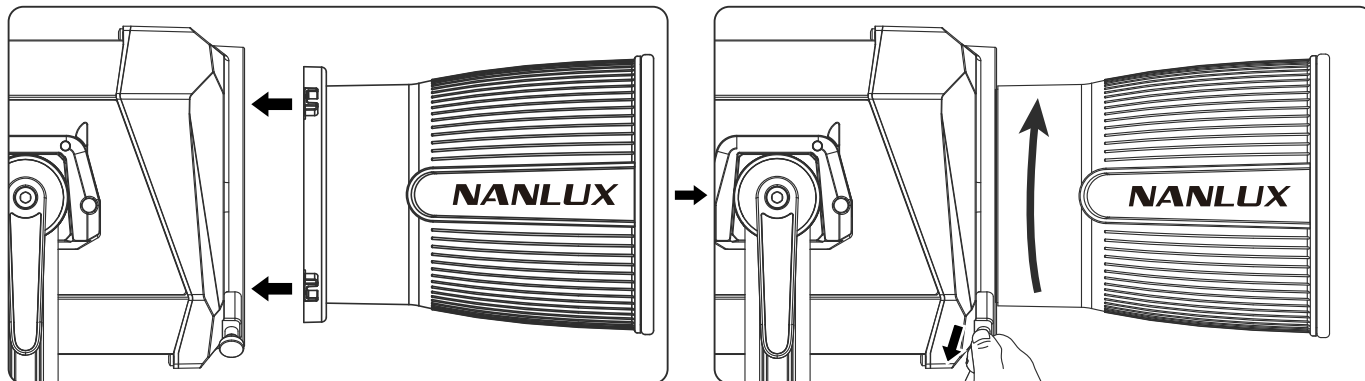


Press the quick release lever lock catch, pull the quick release lever, align and insert the quick-release plate mounts to the plates of the yoke.

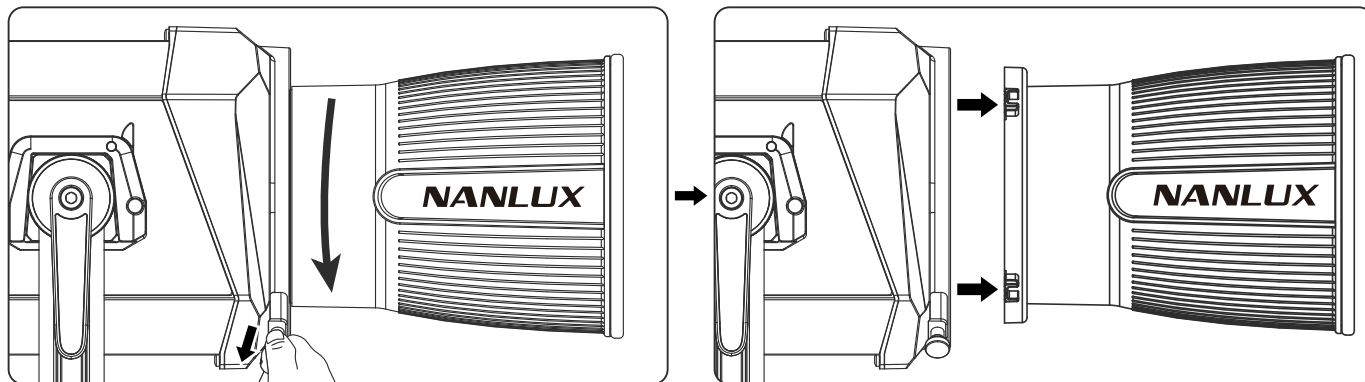


Pull quick release lever lock catch on both side of the fixture to lock the plates in place. Installation of the yoke is complete.

3. Installation and Detachment of Reflector



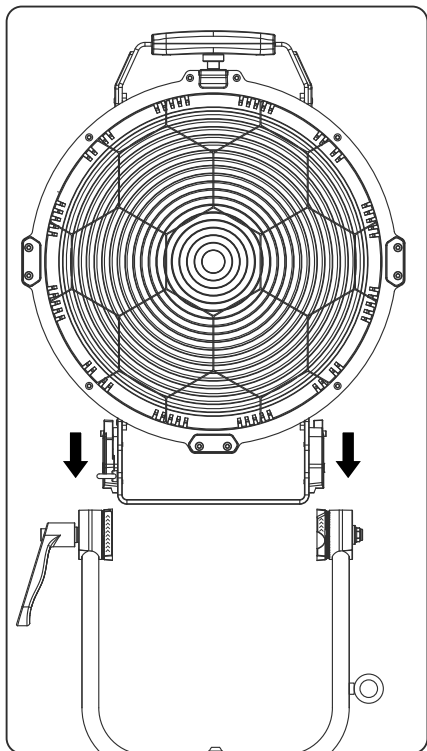
When installing the reflector, align the reflector's bayonet lock to the light's mount, rotate the reflector clockwise and fasten the reflector on the light.
 (Note: if the rotation is not smooth, pull the lock catch of the mount and rotate the reflector at the same time.)



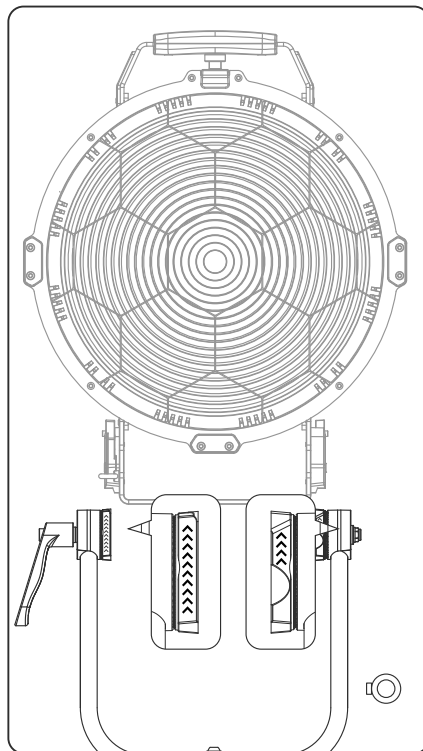
When removing the reflector, pull the lock catch of the mount, rotate the reflector anticlockwise and remove.

4. Installation of FL-35 Fresnel Lens and the Barndoor

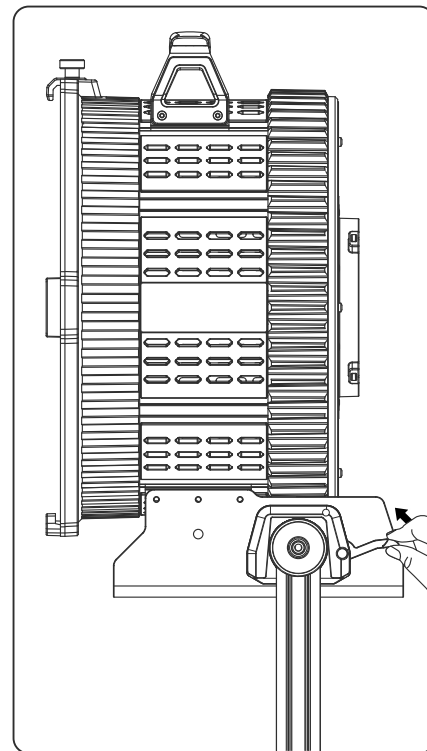
▲ Note: When installing the Fresnel lens, please remove the fixture from the yoke first.



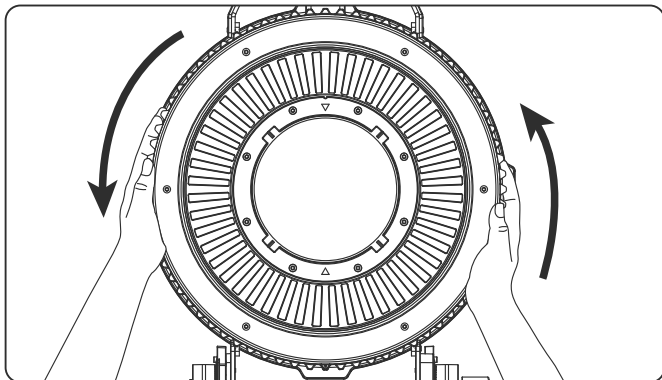
When installing the Fresnel lens, align and insert both quick-release mounts of lens to the quick-release plates of yoke.
(Refer to the installation and detachment of yoke)



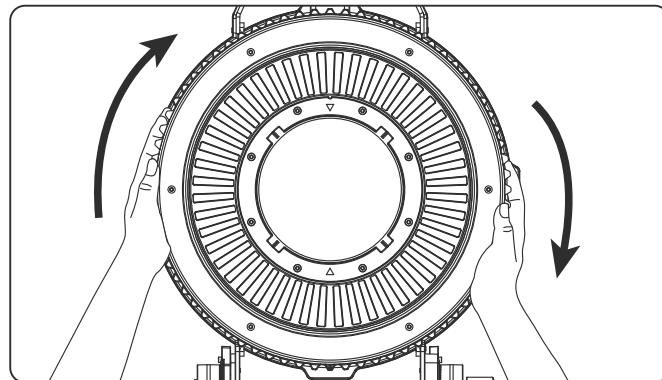
Note: When installing the quick-release plates, adjust the plates to the right directions first, and then insert them to the mount.



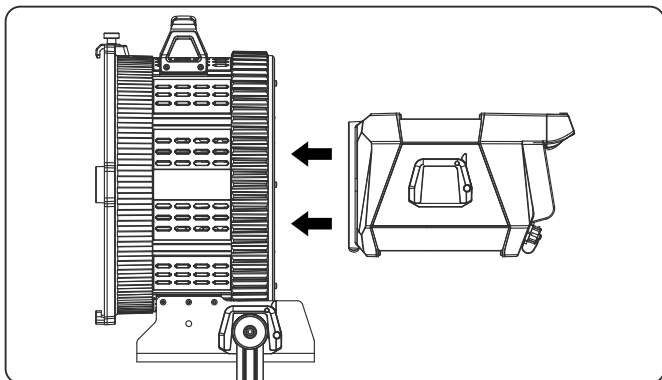
Pull the quick release lever on both sides of the lens, then lock the quick-release plates in place and mount the lens on the yoke.



When adjusting the lens to flood, hold the lens with hands and rotate it in the direction of the arrow, to adjust the light in flood.

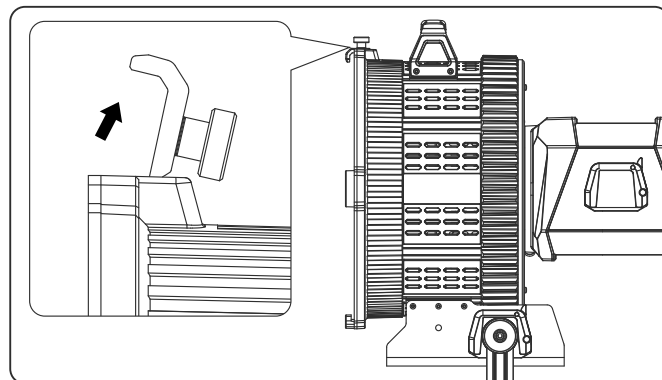


When adjusting the lens to spot, hold the lens with hands and rotate it in the direction of the arrow, to adjust the light in spot. (Beam angle: 11°- 45°)

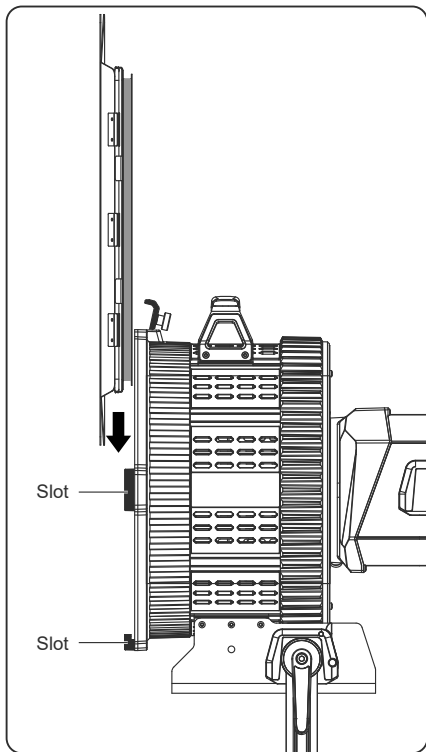


When mounting the fixture to the lens, align the fixture with the lens mount and rotate the fixture clockwise to lock the fixture in place.

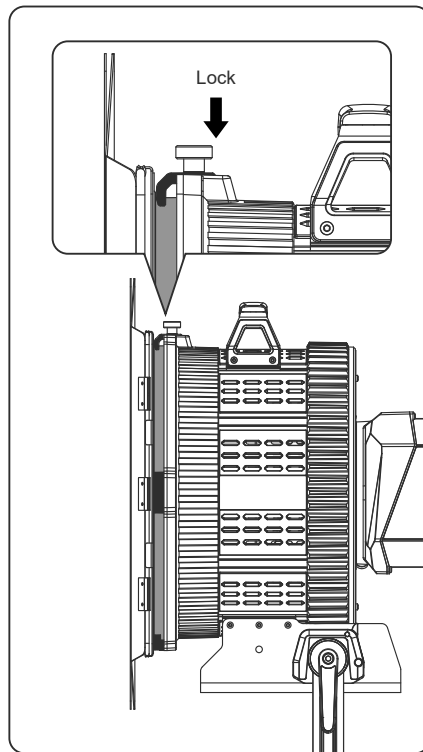
(Note: if the rotation is not smooth, pull the lock catch of the mount and rotate the lens at the same time.)



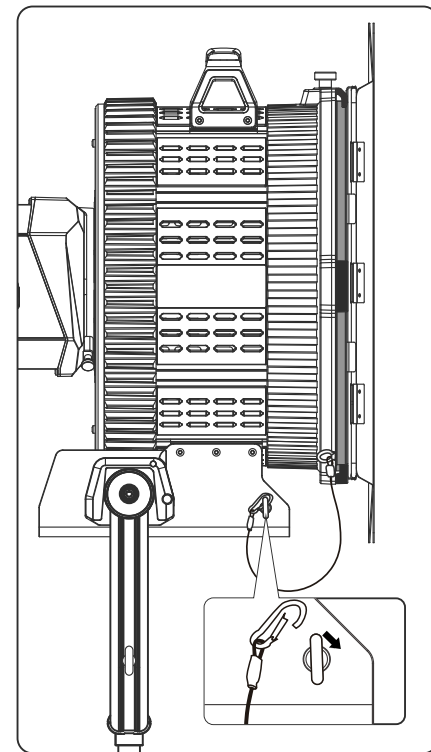
When installing the bardoor, rotate the and release lock catch screw in front of the lens.



Align the barndoor to the slots in front of the lens, and insert it to the slots from up to down.



Release the barndoor lock catch and lock the barndoor screw.



Put the safety loop on the barndoor into the eye bolt on the support frame of the lens.

Remote Control

. Evoke 1200 supports remote control via DMX, 2.4G, RDM and LUMENRADIO, and has built-in Bluetooth.

▲The ADDRESS needs to be set before operating the remote control via DMX, 2.4G, RDM and LUMENRADIO.

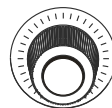
1. ADDRESS/DMX, including ADDRESS, DMX MODE and DMX DIMMING CURVE settings.

①ADDRESS

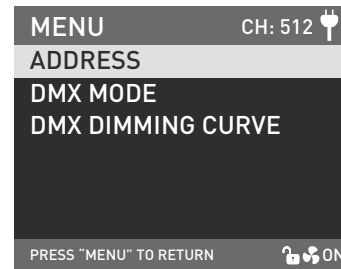
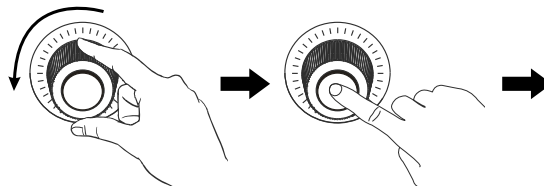
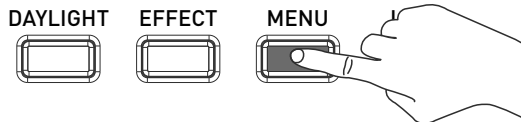
Press MENU key to access options.



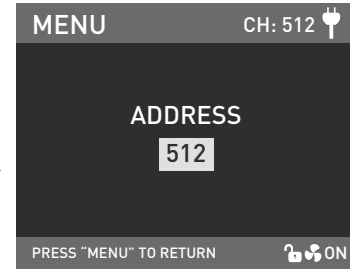
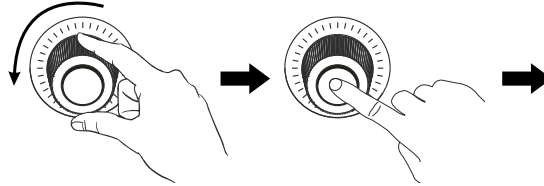
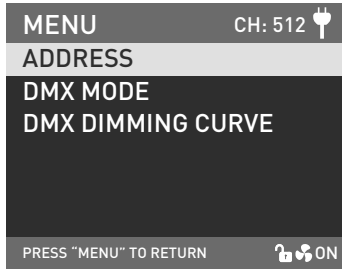
Left knob



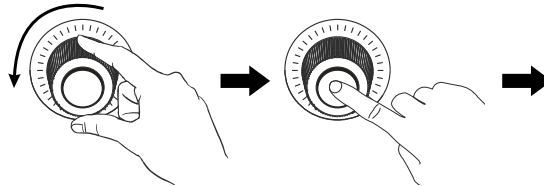
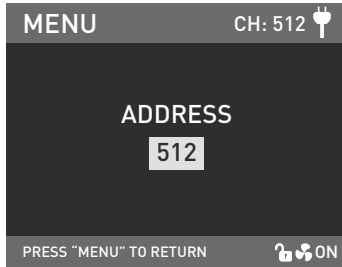
Right knob



Rotate "Right knob" to ADDRESS/DMX. Press "Right knob" to enter the corresponding secondary menu.

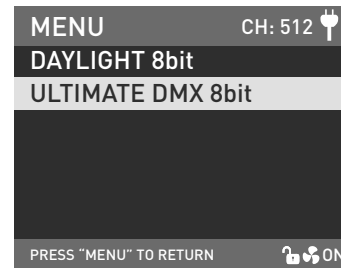
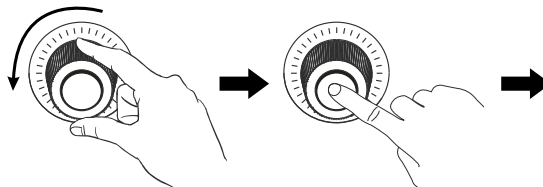


Rotate "Right knob" to ADDRESS. Press "Right knob" to enter the corresponding third menu.

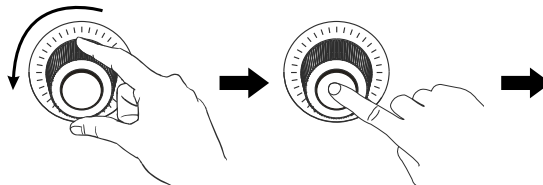


Rotate "Right knob" to select the desired ADDRESS number. Press the "Right knob" to set.

②DMX MODE

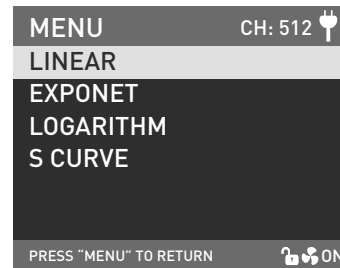
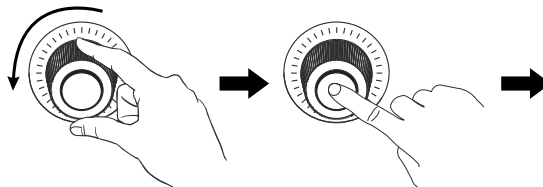


Rotate "Right knob" to DMX MODE. Press "Right knob" to enter the corresponding third menu.

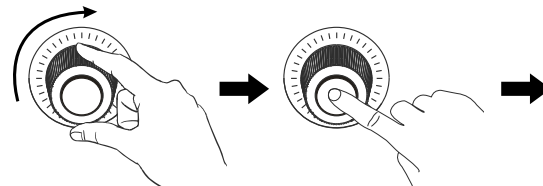
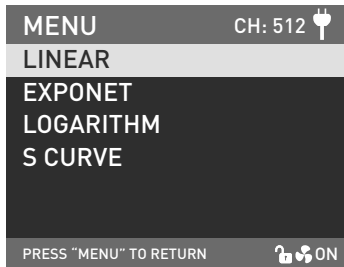


Rotate "Right knob" to select the corresponding DMX mode. Press "Right knob" to set.

③DMX DIMMING CURVE



Rotate "Right knob" to DMX DIMMING CURVE. Press "Right knob" to enter the corresponding third menu.



Rotate "Right knob" to select the corresponding DMX dimming curve. Press "Right knob" to set.

2. DMX Remote Control

①Connect the light fixture and the DMX512 console using the connection cable, as below.



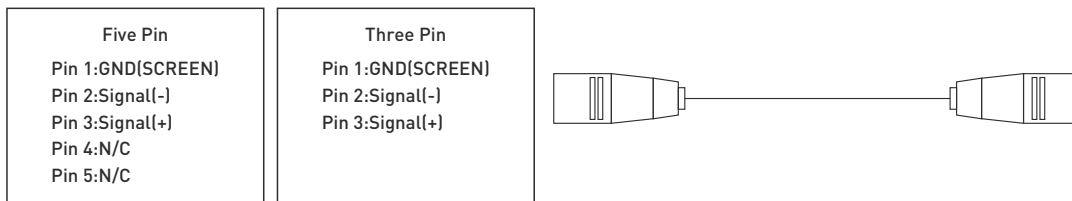
- The connection between the light fixture and DMX/RDM console, light fixture and light fixture should use five core shielded cable. Make sure its diameter is not less than 0.3mm. XLR plug/socket and the wire should be connected as pictured.

- Pin1, Pin2, Pin3 for connecting DMX signal. Pin4, Pin5 has no connection.

▲NOTE: When connecting DMX, make sure the internal pin is not in contact with the inner case. The fixture can match the DMX512 (1990) control signal.

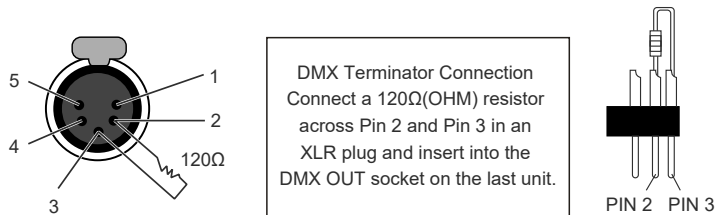
- Plug of five-core and three-core XLR plug/socket conversion.

The fixture is supplied with five-core XLR plug. If using a three-core XLR plug, please follow the instructions below.



②DMX Terminator

In DMX control mode, the DMX output of the last fixture should be connected with a DMX terminator (Not included). This prevents interference caused by DMX signals in the transmitting process. The terminator is connected with a 120Ω(OHM) resistor across Pin 2 and Pin 3. (As shown below)



③Set the address of the fixture.

④Refer to the attached DMX reference guide and control the light via DMX/RDM console.

(For specific operation methods, please refer to the DMX/RDM console operation manual.)

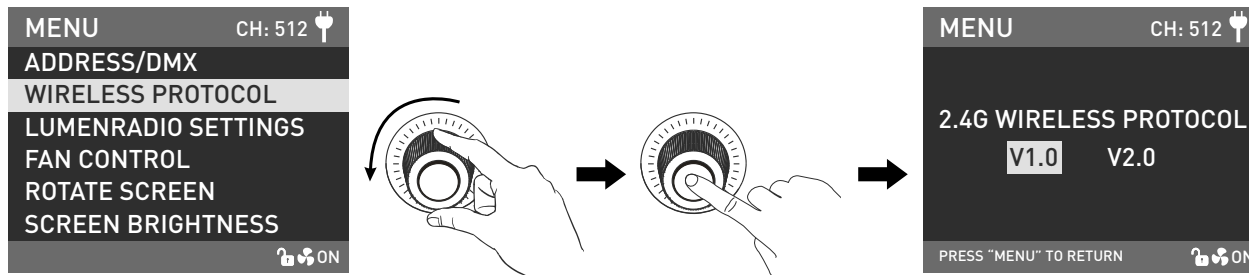
Note: DMX reference guide «Evoke 1200 DMX REFERENCE GUIDE» please download it from www.nanlux.com.

3. 2.4G Remote Control

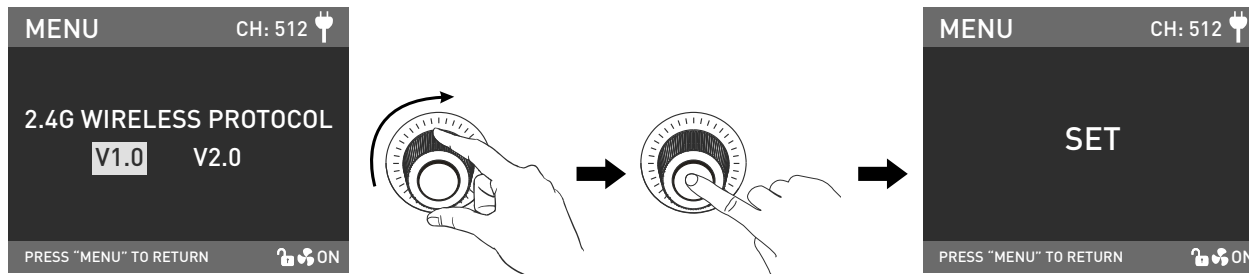
- Set the address of the 2.4G remote controller to be consistent with the light fixture, enabling the Evoke 1200 to be remotely controlled by 2.4G remote controller or by APP via the transmitter box.

Note: ①2.4G remote controller and transmitter box are sold separately.

②The fixture supports the 2.4G wireless protocol V1.0 and V2.0. Set fixture to V2.0 while using WS-RC-C1 or WS-RC-C2 remote controller. Set fixture to V1.0 while using other remote controllers.



Rotate "Right knob" to WIRELESS PROTOCOL, press "Right knob" to enter the corresponding secondary menu.



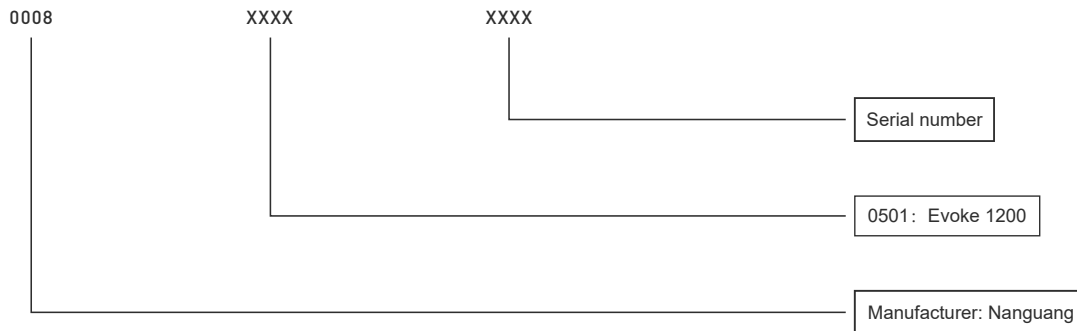
Rotate "Right knob" to select V1.0 or V2.0, press "Right knob" to set.

4. RDM Remote Control

① Connect the light fixture to the console with RDM function using a connection cable, the connection method is the same as with a DMX/RDM console.

② Control the fixture via a console with RDM function. (For specific operation methods, please refer to the RDM console operation manual.)

Note: The UID format of the fixture is as follows:



5. LUMENRADIO Remote Control

· Evoke 1200 has built-in CRMX TIMO TWO module, enabling it to receive CRMX wireless DMX signals. The Specific operation is as follows:

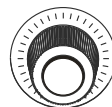
① RECEIVER MODE

(1) RECEIVER MODE setting

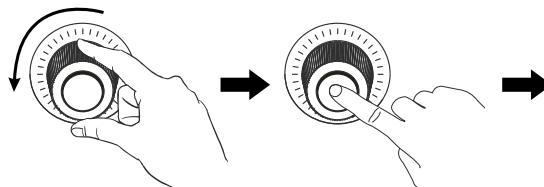
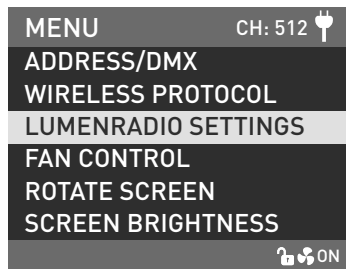
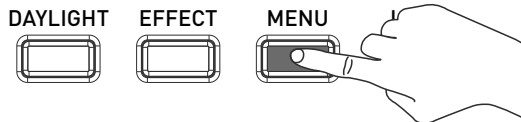
Press the MENU key to access options.



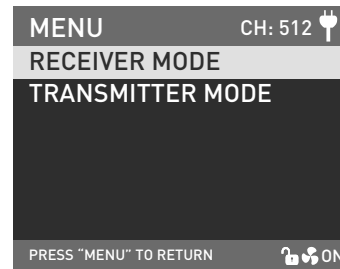
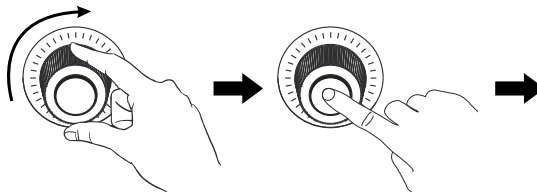
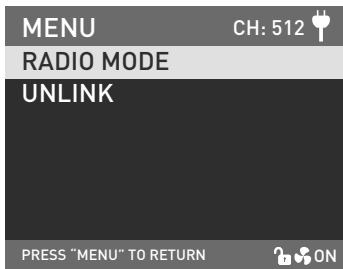
Left knob



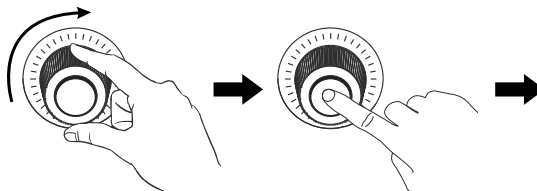
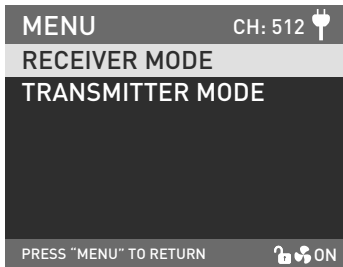
Right knob



Rotate "Right knob" to LUMENRADIO SETTINGS. Press "Right knob" to enter the corresponding secondary menu.

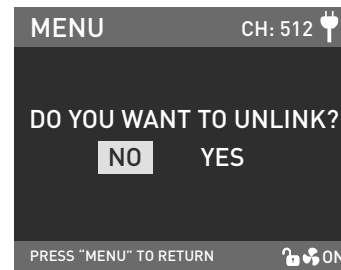
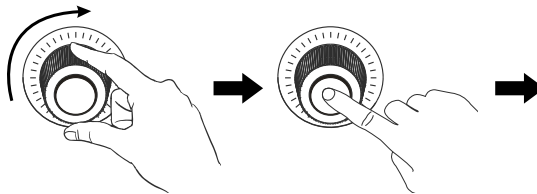
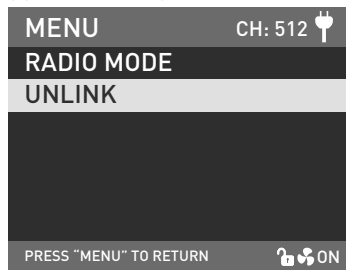


Rotate "Right knob" to RADIO MODE. Press "Right knob" to enter next menu.

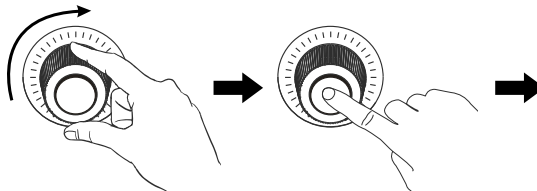
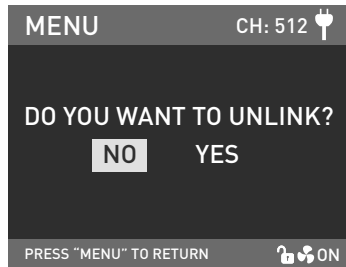


Rotate "Right knob" to select RECEIVER MODE. Press "Right knob" to set.

(2) UNLINK Setting



Rotate "Right knob" to UNLINK. Press "Right knob" to enter next menu.



Rotate "Right knob" to select "YES". Press "Right knob" to set.

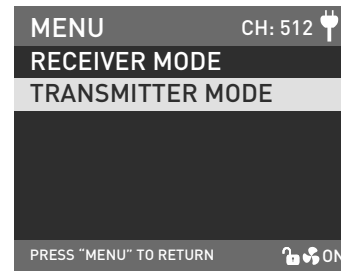
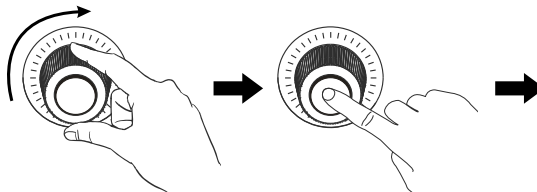
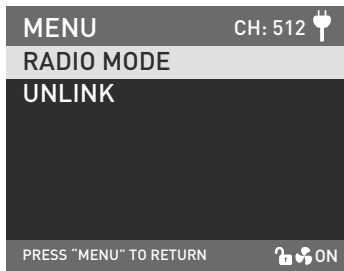
(3) Please refer to P26 of the manual or CRMX wireless DMX transmitter manual to connect the fixture or CRMX wireless DMX transmitter set to TRANSMITTER MODE with the fixture set to RECEIVER MODE, the fixture can receive CRMX wireless DMX signals for remote control.

Note: · CRMX wireless DMX transmitter is sold separately.

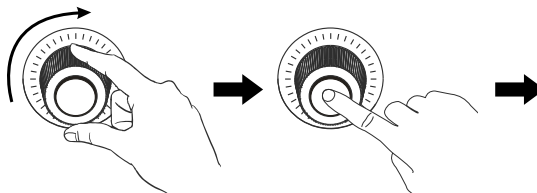
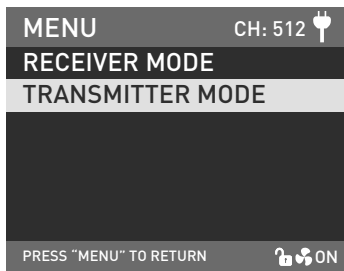
- In RECEIVER MODE, the LUMENRADIO SETTINGS should be set to UNLINK to allow it to be reconnected to new fixtures or transmitters.

② TRANSMITTER MODE

(1) Set the RADIO MODE to TRANSMITTER MODE and connect with the DMX/RDM console.

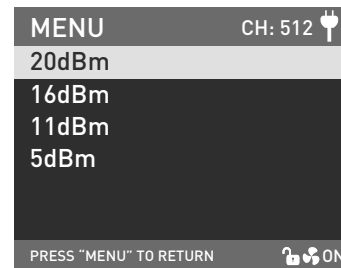
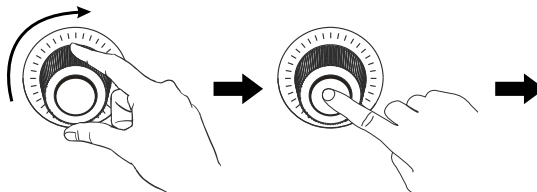
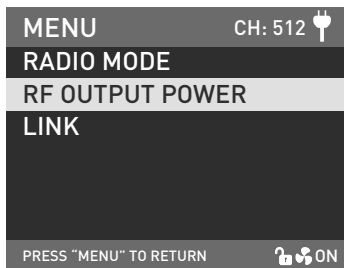


Rotate "Right knob" to RADIO MODE. Press "Right knob" to enter next menu.

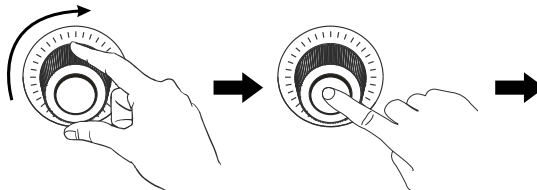
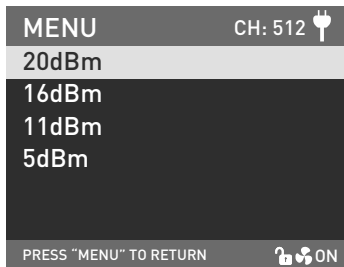


Rotate "Right knob" to select TRANSMITTER MODE. Press "Right knob" to set.

(2) The fixture can set the RF OUTPUT POWER when in TRANSMITTER MODE. The setting methods is as follows:



Rotate "Right knob" to OUTPUT POWER. Press "Right knob" to enter the next menu.



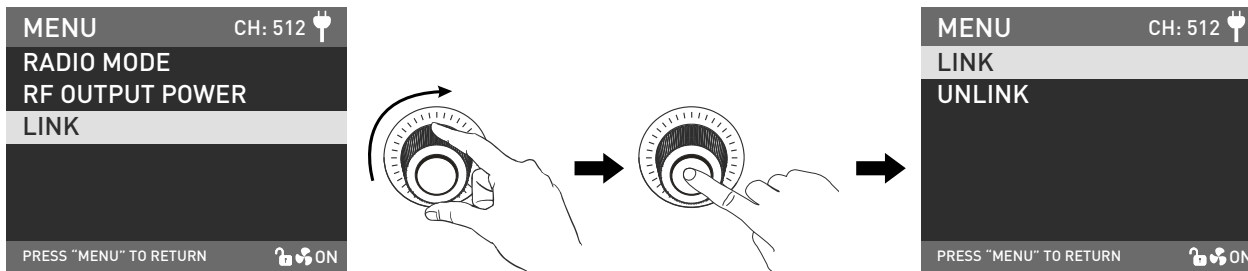
Rotate "Right knob" to select the desired RF OUTPUT POWER. Press "Right knob" to set.

(3) Set other fixtures that need to receive CRMX wireless DMX signals to RECEIVER MODE and set to UNLINK. (For setting method, please refer to P21.)

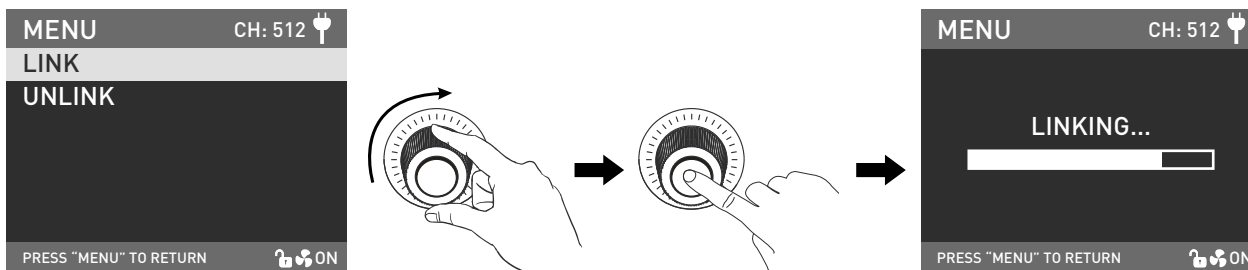
(4) Connect the fixture set in TRANSMITTER MODE with the fixture set in RECEIVER MODE.

When in TRANSMITTER MODE, the signal from the DMX/RDM console or DMX-based APP will be sent to the fixtures set to RECEIVER MODE.

The fixtures set to RECEIVER MODE should be set as follows:



Rotate "Right knob" to LINK. Press "Right knob" to enter the next menu.



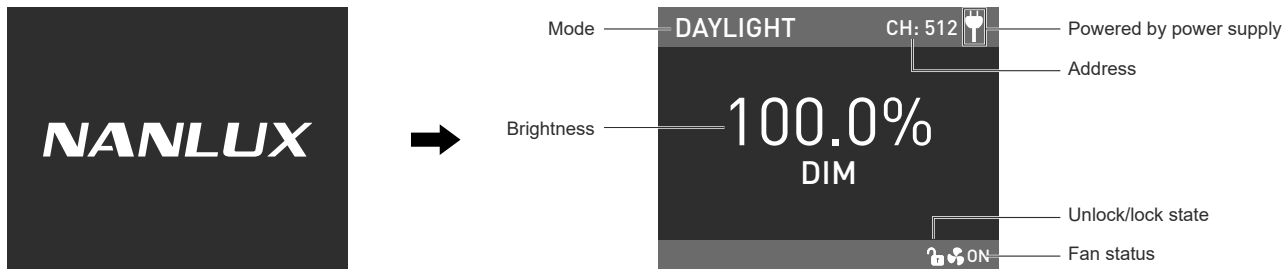
Rotate "Right knob" to select LINK. Press "Right knob" to set.

(5) UNLINK Setting

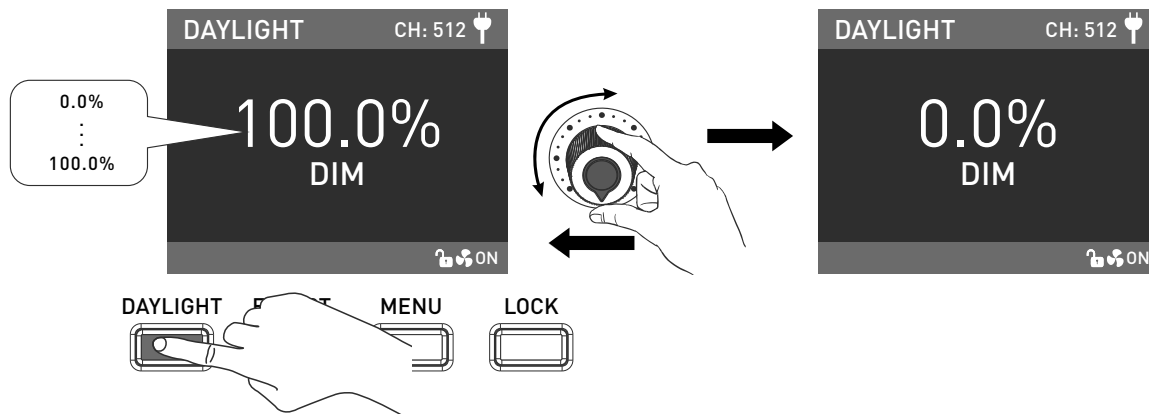
When the fixture needs to stop transmitting the CRMX wireless DMX signal, set the fixture to UNLINK. The setting method is the same as the UNLINK setting on P23.

Operating Instructions

1. First, be sure that the power switch of the control unit is in the "off" position. Now it is safe to connect the power supply and power the unit on. If the power indicator is on that means the power supply is normal, the screen will display "NANLUX".

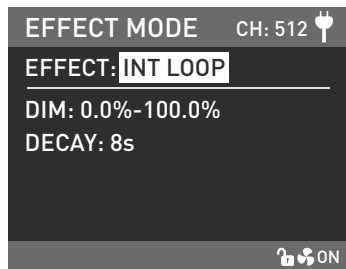


① DAYLIGHT Key: Press the DAYLIGHT key to enter the DAYLIGHT MODE, rotate the "Left knob", clockwise to increase brightness while counterclockwise to reduce the brightness. The screen shows the percentage of brightness, DIM range: 0.0-100.0%.



Note: In other modes, the brightness adjustment range is the same as in DAYLIGHT mode. When the fixture function is unlock, in any mode, press the "Left knob", the light is off, the brightness percentage on the display is 0.0%. Press the "Left knob" again, the fixture restores the previous status. Press the "Left knob" continuously to switch brightness between on and off.

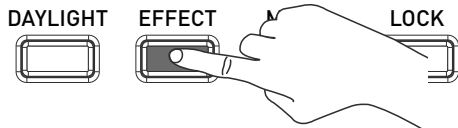
2. EFFECT Key: Press the EFFECT key to enter EFFECT MODE.



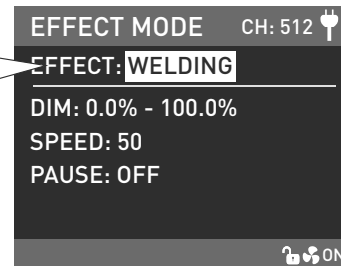
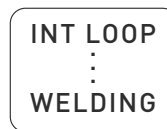
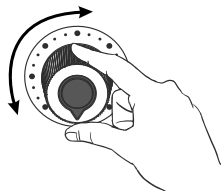
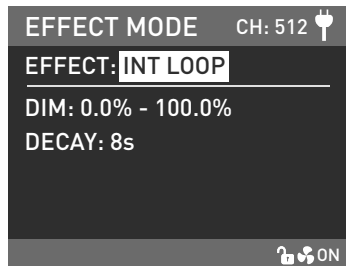
Left knob



Right knob



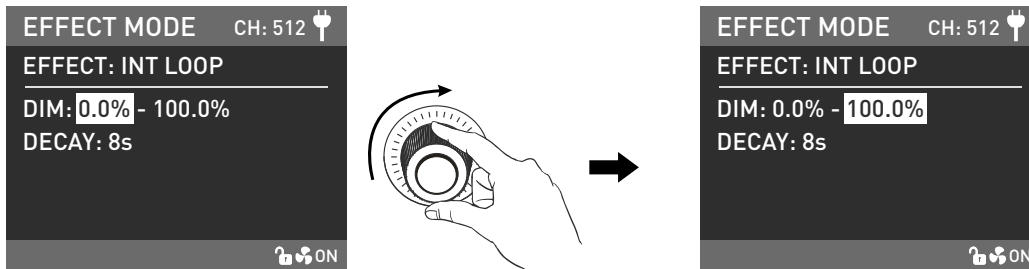
- Evoke 1200 has built-in effects including: INT LOOP, FLASH, PULSE, STORM AUTO, STORM MANUAL, TV, PAPERAZZI, CANDLE/FIRE, BAD BULB, FIREWORK, EXPLOSION AUTO, EXPLOSION MANUAL and WELDING.



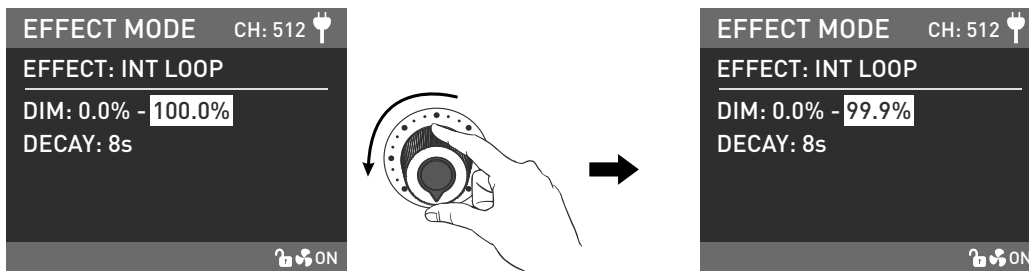
Rotate "Right knob" to select the desired special effect. Press "Right knob" to set.

① INT LOOP

For INT LOOP settings, rotate "Right knob" to select DIM and SPEED (Range: 2S-30S), then rotate "Left knob" to set the corresponding parameters.



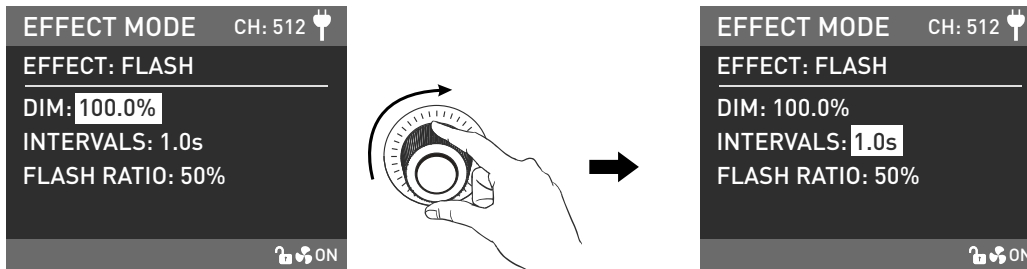
Rotate "Right knob" to select DIM and SPEED.



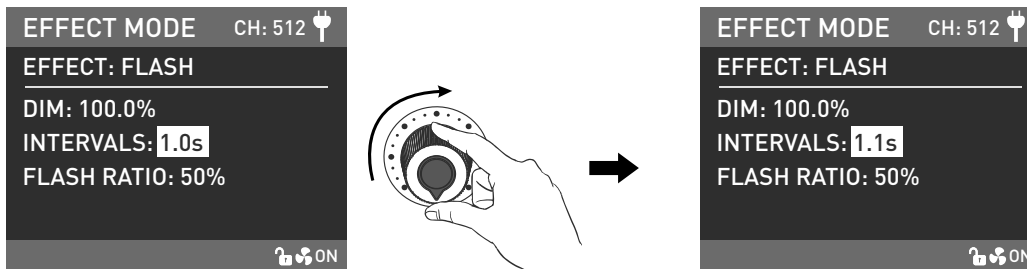
Rotate "Left knob" to set the corresponding parameters.

②FLASH

For FLASH settings, rotate "Right knob" to select DIM, INTERVALS (Range: 0.1s-10.0s) and FLASH RATIO (Range: 0% -100%), then rotate "Left knob" to set the corresponding parameters.



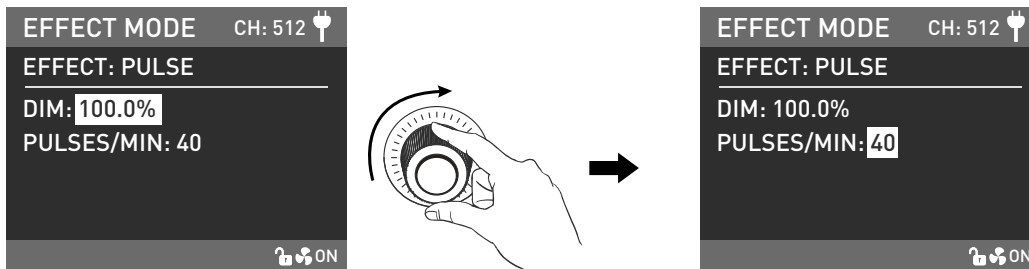
Rotate "Right knob" to select DIM, INTERVALS and FLASH RATIO.



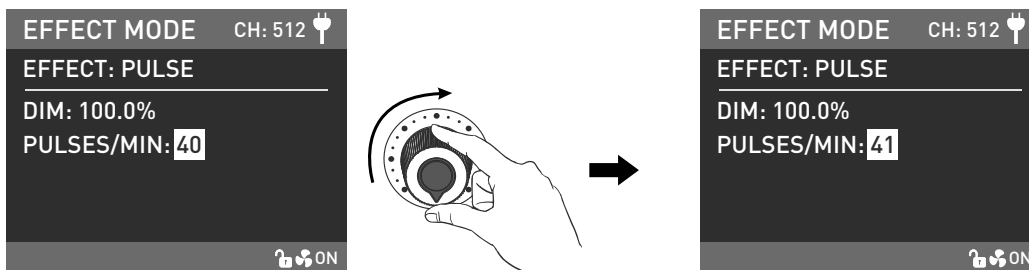
Rotate "Left knob" to set the corresponding parameters.

③PULSE

For PULSE settings, rotate "Right knob" to select DIM and PULSES/MIN (Range: 1-240), then rotate "Left knob" to set the corresponding parameters.



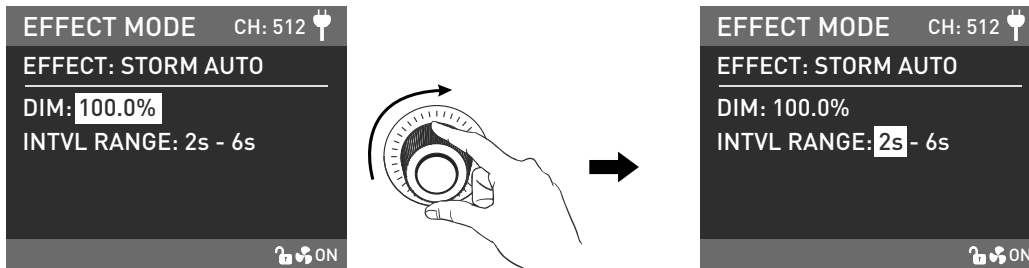
Rotate "Right knob" to select DIM and PULSES/MIN.



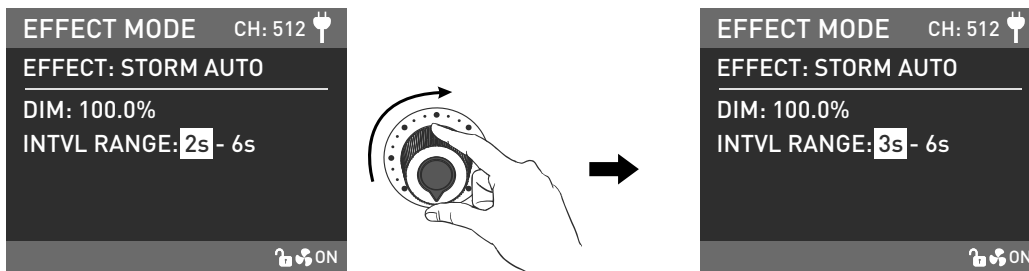
Rotate "Left knob" to set the corresponding parameters.

④ STORM AUTO

For STORM AUTO settings, rotate "Right knob" to select DIM, INTVL RANGE (Range: 1s-60s), then rotate "Left knob" to set the corresponding parameters.



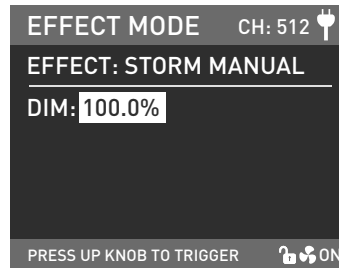
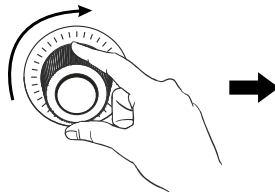
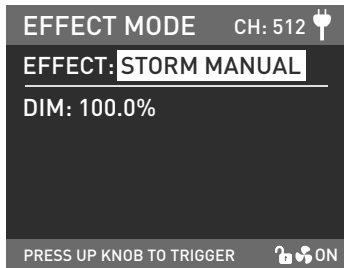
Rotate "Right knob" to select the DIM and INTVL RANGE.



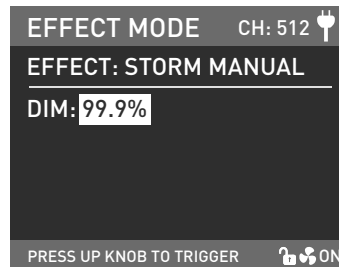
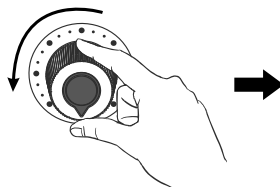
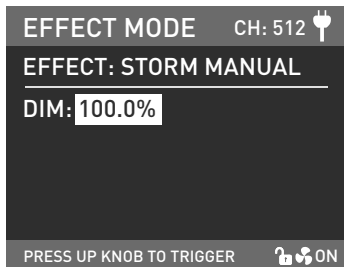
Rotate "Left knob" to set the corresponding parameters.

⑤ STORM MANUAL

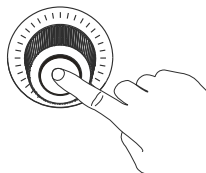
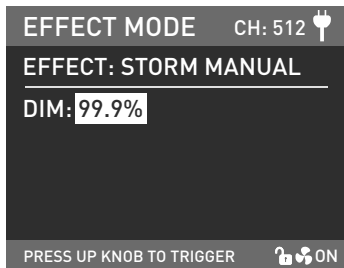
For STORM MANUAL settings, rotate "Right knob" to select DIM, then rotate "Left knob" to set the corresponding parameters and press "Right knob" to trigger storm.



Rotate "Right knob" to select DIM.



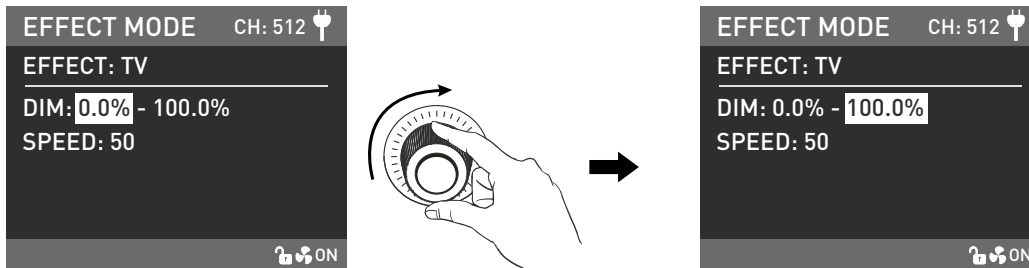
Rotate "Left knob" to set the corresponding parameters.



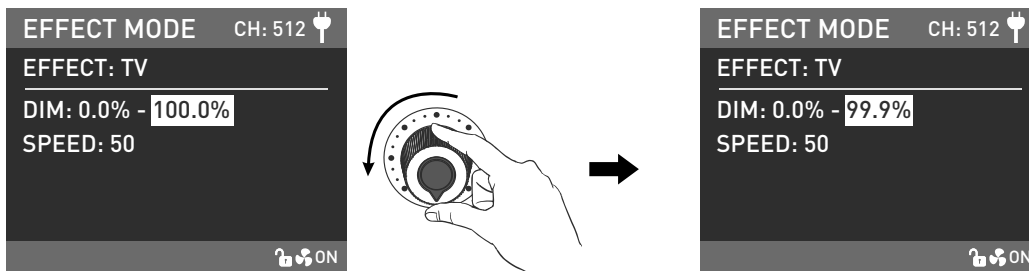
Press "Right knob" to trigger storm.

⑥TV

For TV settings, rotate "Right knob" to select DIM and SPEED (Range:1-100). Then rotate "Left knob" to set the corresponding parameters.



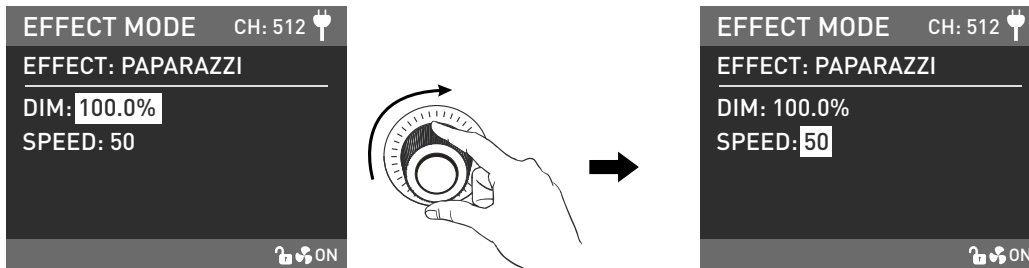
Rotate "Right knob" to select the DIM and SPEED.



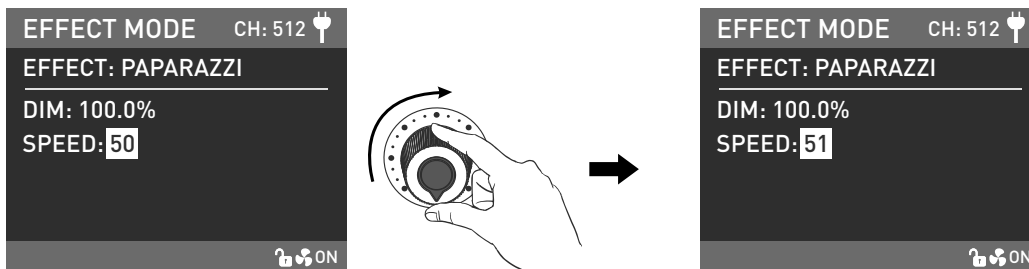
Rotate "Left knob" to set the corresponding parameters.

⑦PAPARAZZI

For PAPARAZZI settings, rotate the "Right knob" to select DIM and SPEED (Range:1-100), then rotate "Left knob" to set the corresponding parameters.



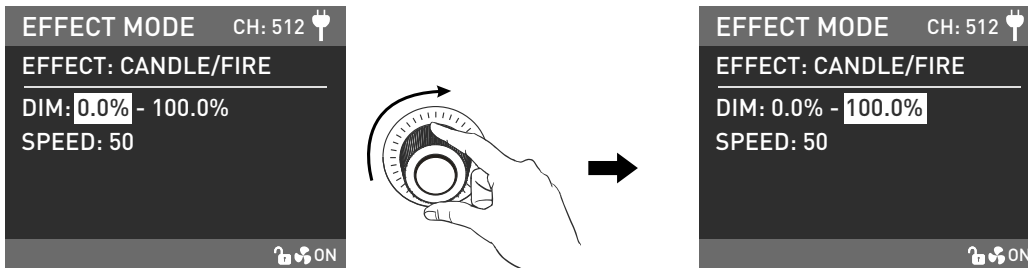
Rotate "Right knob" to select the DIM and SPEED.



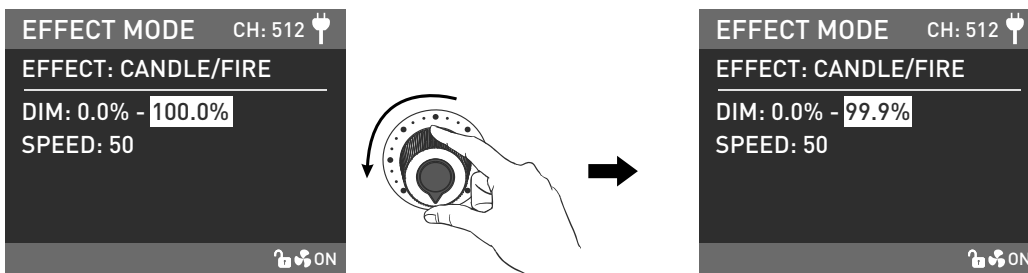
Rotate "Left knob" to set the corresponding parameters.

⑧ CANDLE/FIRE

For CANDLE/FIRE settings, rotate "Right knob" to select DIM and SPEED (Range: 1-100), then rotate "Left knob" to set the corresponding parameters.



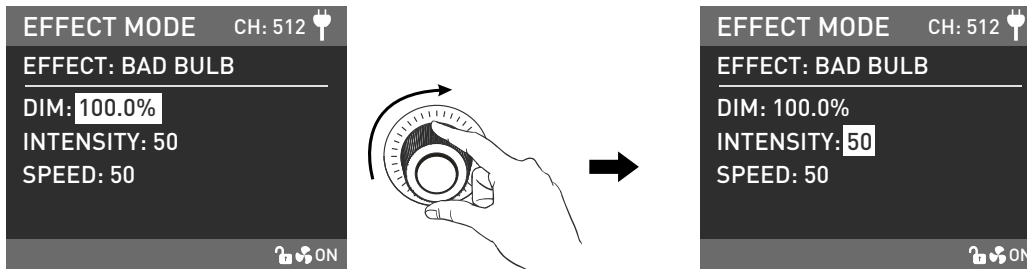
Rotate "Right knob" to select the DIM and SPEED.



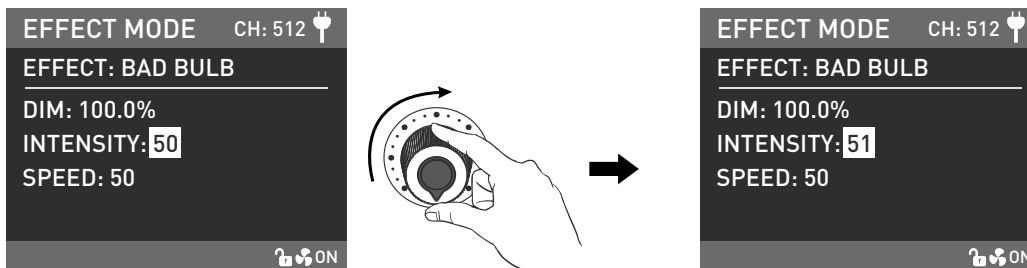
Rotate "Left knob" to set the corresponding parameters.

ⓈBAD BULB

For BAD BULB settings, rotate "Right knob" to select DIM, INTENSITY (Range: 1-100) and SPEED (Range: 1-100), then rotate "Left knob" to set the corresponding parameters.



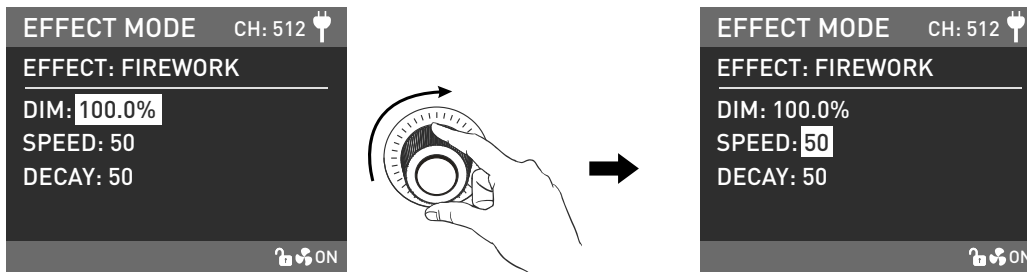
Rotate "Right knob" to select DIM, INTENSITY and SPEED.



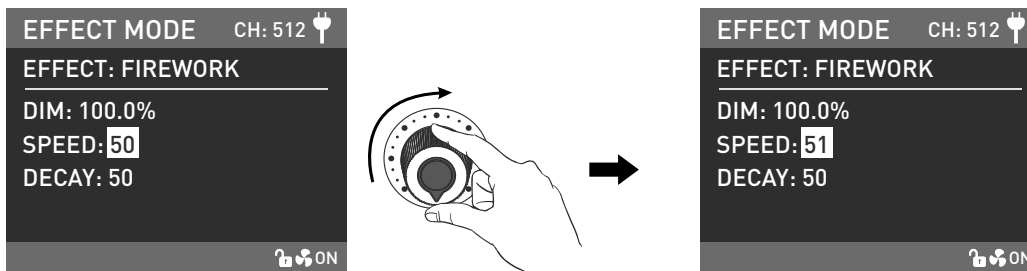
Rotate "Left knob" to set the corresponding parameters.

⑩ FIREWORK

For FIREWORK settings, rotate "Right knob" to select DIM and SPEED (Range: 1-100) and DECAY (Range: 1-100), then rotate "Left knob" to set the corresponding parameters.



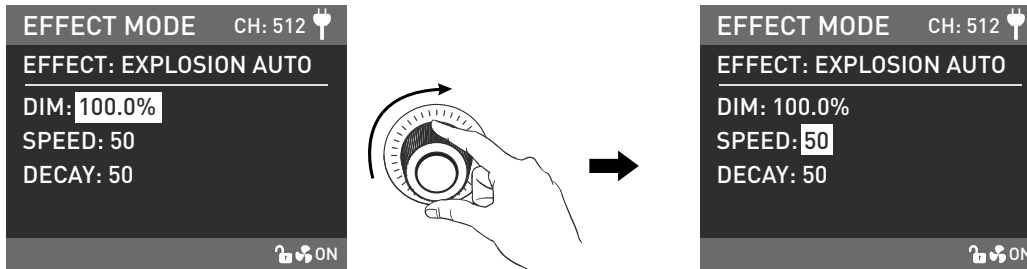
Rotate "Right knob" to select DIM, SPEED and DECAY.



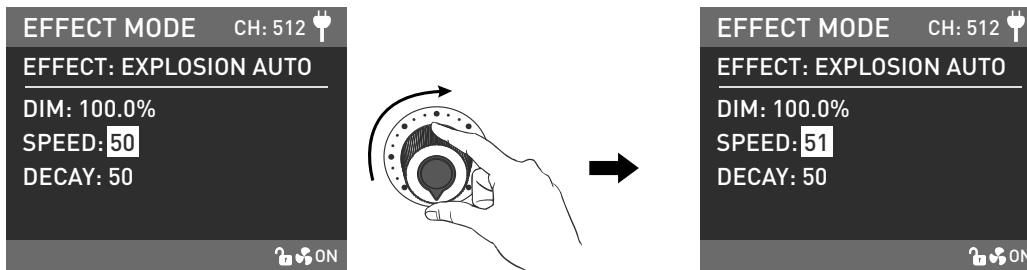
Rotate "Left knob" to set the corresponding parameters.

⑩ EXPLOSION AUTO

For EXPLOSION AUTO settings, rotate "Right knob" to select DIM, SPEED (Range:1-100) and DECAY (Range:1-100), then rotate "Left knob" to set the corresponding parameters.



Rotate "Right knob" to select DIM, SPEED and DECAY.



Rotate "Left knob" to set the corresponding parameters.

②EXPLOSION MANUAL

For EXPLOSION MANUAL settings, rotate "Right knob" to select DIM and DECAY (Range: 1-100), then rotate "Left knob" to set the corresponding parameters. Press "Right knob" to trigger EXPLOSION.

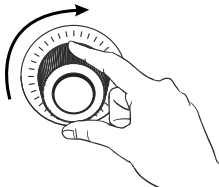
EFFECT MODE CH: 512

EFFECT: EXPLOSION MANUAL

DIM: 100.0%

DECAY: 50

PRESS UP KNOB TO TRIGGER ON



→

EFFECT MODE CH: 512

EFFECT: EXPLOSION MANUAL

DIM: 100.0%

DECAY: 50

PRESS UP KNOB TO TRIGGER ON

Rotate "Right knob" to select DIM and DECAY.

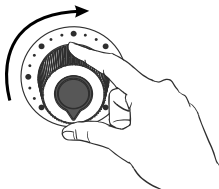
EFFECT MODE CH: 512

EFFECT: EXPLOSION MANUAL

DIM: 100.0%

DECAY: 50

PRESS UP KNOB TO TRIGGER ON



→

EFFECT MODE CH: 512

EFFECT: EXPLOSION MANUAL

DIM: 100.0%

DECAY: 51

PRESS UP KNOB TO TRIGGER ON

Rotate "Left knob" to set the corresponding parameters.

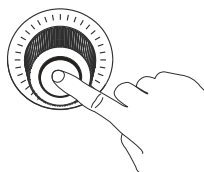
EFFECT MODE CH: 512

EFFECT: EXPLOSION MANUAL

DIM: 100.0%

DECAY: 51

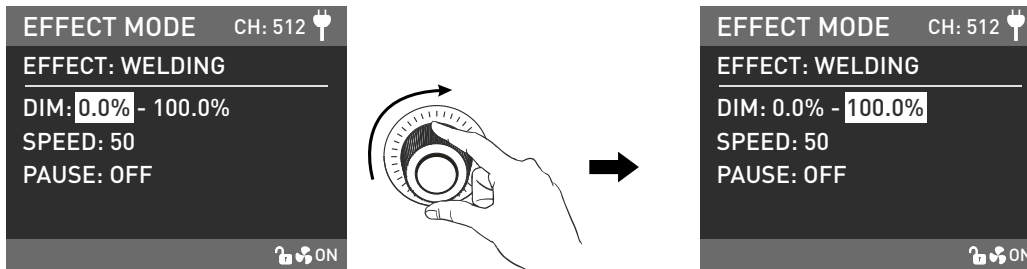
PRESS UP KNOB TO TRIGGER ON



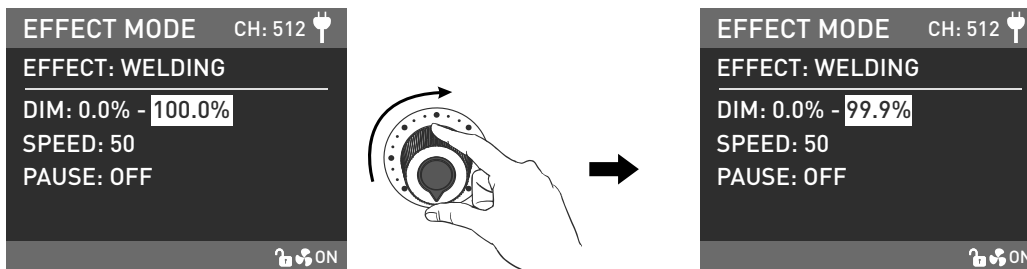
Press "Right knob" to trigger EXPLOSION.

⑬ WELDING

For WELDING settings, rotate "Right knob" to select DIM, SPEED (Range: 1-100) and PAUSE (ON/OFF), then rotate "Left knob" to set the corresponding parameters.



Rotate "Right knob" to select DIM, SPEED and PAUSE.



Rotate "Left knob" to set the corresponding parameters.

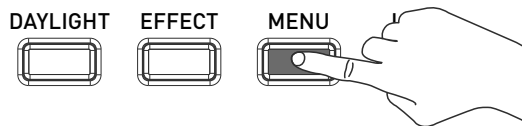
3. MENU Key: Press the MENU key to enter the menu.



Left knob



Right knob



· Rotate "Right knob" to select the setting item and press "Right knob" to enter the corresponding secondary menu. Then rotate "Right knob" again to select corresponding options and press "Right knob" to set. Press the MENU key to return to the previous menu.

① ADDRESS/DMX

For more operation details please refer to P14.

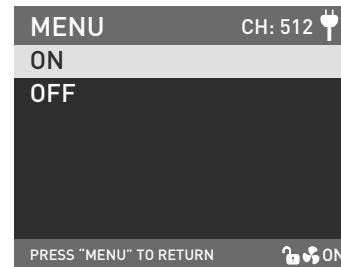
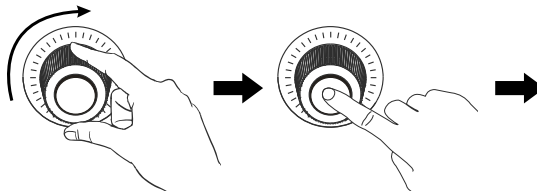
② WIRELESS PROTOCOL

For more operation details please refer to P19.

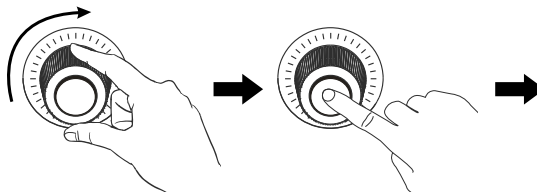
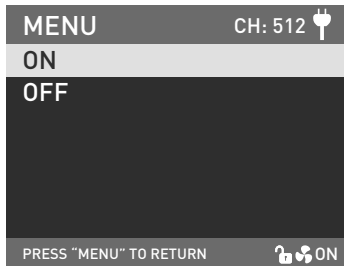
③ LUMENRADIO SETTINGS

For more operation details please refer to P21.

④ FAN CONTROL



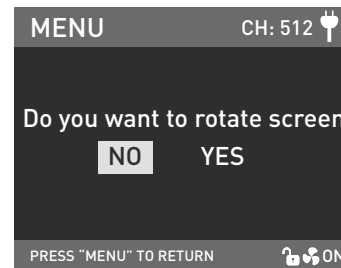
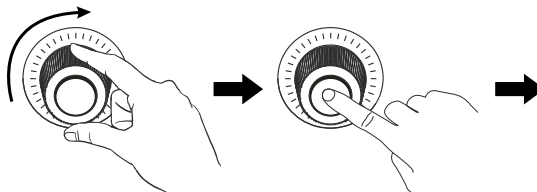
Rotate "Right knob" to FAN CONTROL. Press "Right knob" to enter the corresponding secondary menu.



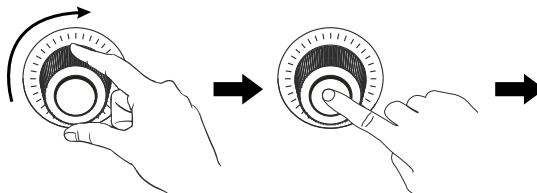
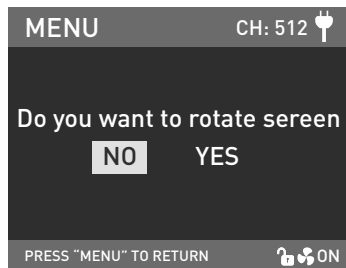
Rotate "Right knob" to select the fan ON or OFF. Press the "Right knob" to set.

- Note: 1. The light output is in 100% if turn on the fan.
 2. The light output is in 10% if turn off the fan.

⑤ ROTATE SCREEN

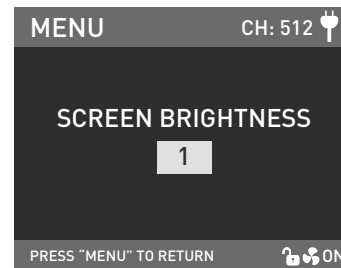
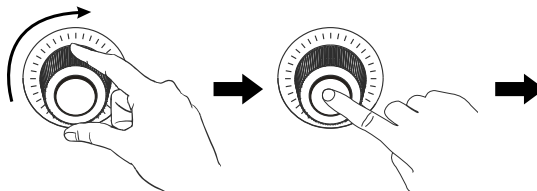
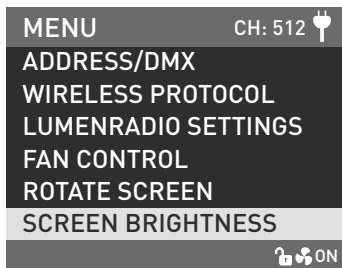


Rotate "Right knob" to ROTATE SCREEN. Press "Right knob" to enter the corresponding secondary menu.

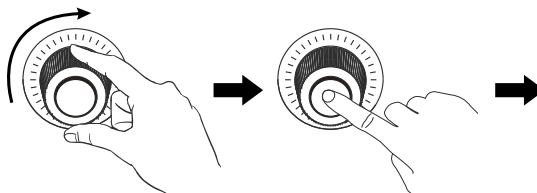
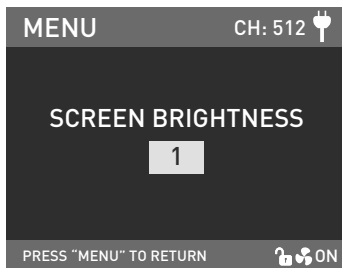


Rotate "Right knob" to select YES or NO. Press "Right knob" to set.

⑥ SCREEN BRIGHTNESS

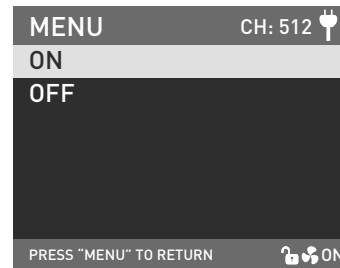
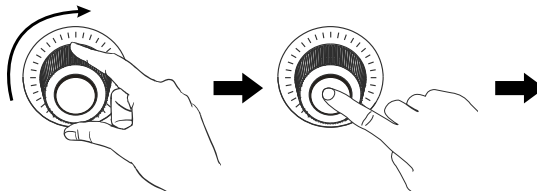
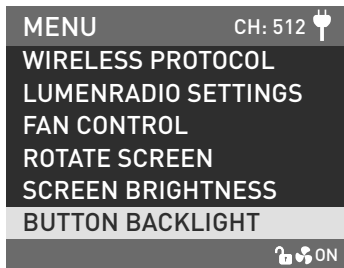


Rotate "Right knob" to SCREEN BRIGHTNESS. Press "Right knob" to enter the corresponding secondary menu.

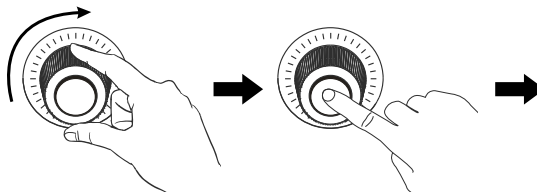


Rotate "Right knob" to select SCREEN BRIGHTNESS. Press "Right knob" to set.

⑦ BUTTON BACKLIGHT

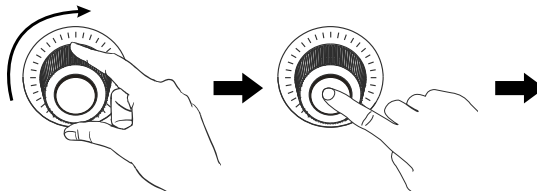
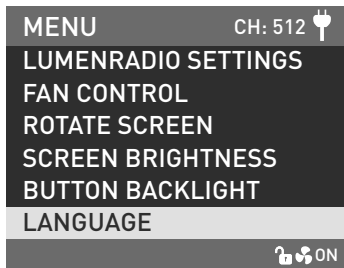


Rotate "Right knob" to BUTTON BACKLIGHT. Press "Right knob" to enter the corresponding secondary menu.

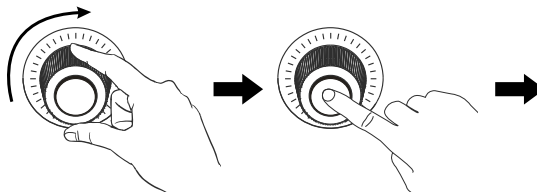


Rotate "Right knob" to select ON or OFF. Press the "Right knob" to set.

ⓈLANGUAGE

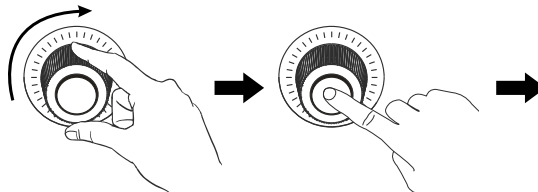
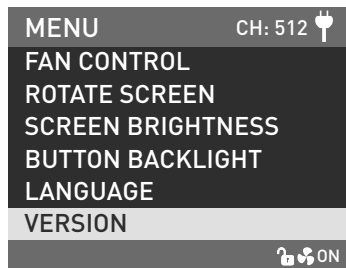


Rotate "Right knob" to LANGUAGE. Press "Right knob" to enter the corresponding secondary menu.



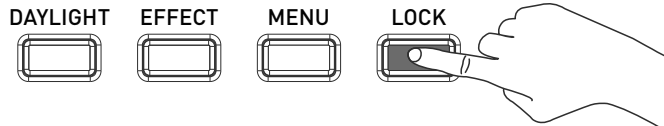
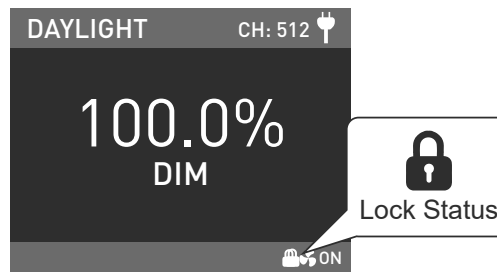
Rotate "Right knob" to select ENGLISH or 简体中文. Press "Right knob" to set.

④VERSION



Rotate "Right knob" to VERSION. Press "Right knob" to check the current version.

4. Lock Key: Press and hold the "Lock Key" to lock all functions. Operation key or adjustment knobs can not change the current function. Press and hold the Lock key again to release the Lock status.



5. When the fixture is not in use, please turn off the power switch.


Safety Precautions

1. Please open the package to check for possible damage. If damaged, do not use. Please contact your distributor or the manufacturer as soon as possible.
2. Please do not use power cable which are faulty or have insulation damage. Please be careful when unplugging and do not drag the power cable.
3. Before installation, please make sure the power supply voltage is correct and compatible with that specified on fixture.
4. Please turn off the power when fixture is not in use or being cleaned.
5. Please operate the fixture safely. Keep fixture away from children.

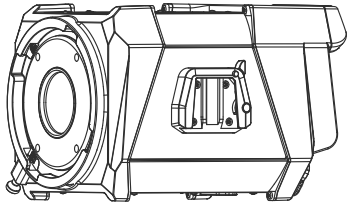
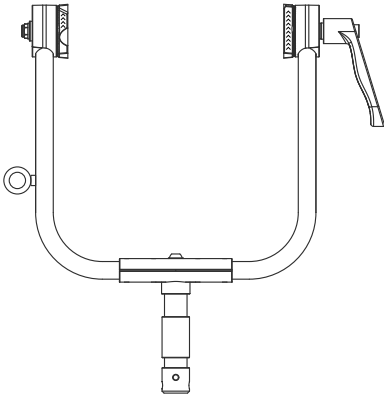
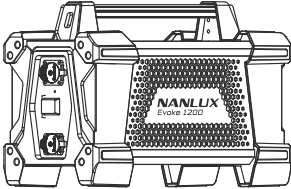
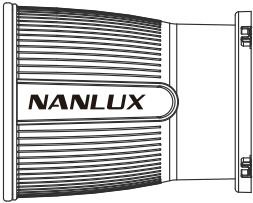
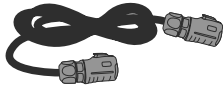

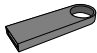



Notice

1. When the fixture is turned on, do not look directly at the emitter.
2. Please do not leave flammable or explosive articles within 0.5m of the fixture.
3. Weather resistance lamps refers to rainproof or anti-spraying, NOT submersible or underwater use. Please do not submerge the lamp in water. If you find damage on the lamp or cable, please do not put the lamp and cable close to or contact with water.
4. Avoid placing lamps near flammable and volatile substances, such as alcohol or gasoline.
5. When cleaning the fixture, please use soft cloth with neutral detergent to wipe off dirt. Please do not use abrasives or strong detergent.
6. As accessories such as lenses and softboxes are heavy, please hold the handle securely when detaching or adjusting beam directions.
7. During use, do not cover, restrict or obstruct ventilation holes, so as not to affect the heat dissipation and cause damage to the fixture. Please take care when using the lamp for long periods, as the surface temperature can be high.
8. Please do not disassemble the fixture or attempt to carry out repairs. Any required maintenance should be carried out by suitably qualified professionals, operating in strict compliance with the instructions described in this manual.

General Fault Detection and Diagnosis

Fault Detection	Diagnosis
The light won't boot up properly	<ol style="list-style-type: none"> 1. Please check that the power supply, cable and outlet are properly connected and that the cable is not faulty or loose. 2. Please check whether the voltage value is within the specified parameters.
The fixture can be operated manually, but DMX control is not working.	<ol style="list-style-type: none"> 1. Please check whether the DMX original address setting of the fixture is correct. 2. Please check that the XLR signal cable is connected correctly and that it is not faulty or damaged.
LCD display is on, but light cannot be operated.	Please check if the LCD display shows "  ". Press and hold the "LOCK" key for 2s to release the LOCK.
The fan doesn't work	<ol style="list-style-type: none"> 1. Please check if the fan is OFF 2. If the screen displays "Fan abnormal", please contact place of purchase.
The signal reception distance of 2.4 and Bluetooth is less than 5 meters.	Check whether the LUMENRADIO is in TRANSMITTER MODE, if it is, please disconnect the LUMENRADIO and set it in RECEIVER MODE.

What's in the box? Please kindly check.

Evoke 1200 ×1		Yoke ×1		Power Supply ×1	
					
				Reflector ×1	
					
Connecting cable 5M ×1	Power cable 4.5M ×1	USB Flash Drive ×1	DMX Reference Guide ×1	User Manual ×1	Thank-you Card ×1
					

This manual and all stats within it were produced under controlled conditions, and are accurate at time of print. Any future changes to design/technical data can be found at www.nanlux.com.

Version: V2 2021-06-22

 +86-754-85751187

 +86-754-85300887

 info@nanlux.com

 Zhanglin,324,Dongli Chenghai Shantou Guangdong China

Guangdong NanGuang Photo&Video Systems Co., Ltd