

sachtler

System 30 EFP 2 MCF

Sachtler System Cine 30 carbon fibre with Fluid Head, EFP 2 MCF Tripod , Mid-Level Spreader & Cover

SKU: 3012

Whether you are working in the studio or on location, you need a fluid head that lets you work fast and effectively. The Sachtler Cine 30 HD is a reliable and flexible solution for daily film and HD use. Thanks to the Snap & Go side-loading mechanism, heavy camera packages can be mounted quickly without compromising safety and still allowing the plate to slide to adjust balance. This makes it quick and easy to prepare a shot, no matter how many accessories are weighing down your camera.

The head features two payload ranges, from 3 – 30 kg and 8 – 35 kg for optimal versatility. Once you are balanced, the 18-step counterbalance ensures you can be sure your camera is always securely fastened and you won't suffer any unforeseen tips. Frictionless leak proof fluid damping with seven levels of drag for smooth panning also means that your tilts and pans are always seamless.

This dual extendible 150 mm tripod's lightweight doesn't come at the expense of stability or carrying capacity. A carbon fibre construction, 22 mm (0.87") diameter and 4.1 kg weight mean that you won't be wasting energy or space carrying this tripod to any location. Supporting up to 95 kg without a loss of stability, the 150 EFP 2 CF's double extension gives you an extended height of 161 cm.

This versatility is enhanced by the quick clamping system that locks the legs in position in seconds by releasing a single catch. Whatever the conditions and whatever your schedule, the 150 EFP 2 CF is always ready to go. The one-piece Carbon fibre design means this durable, twist and corrosion resistant tripod will be a trusted and reliable part of your gear for years to come. The 150 EFP 2 CF is suitable for long-term use in any environment.

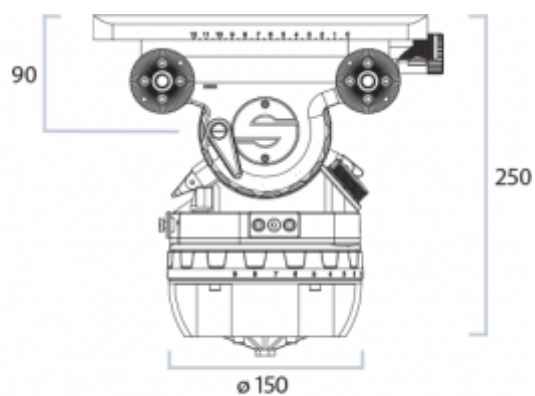
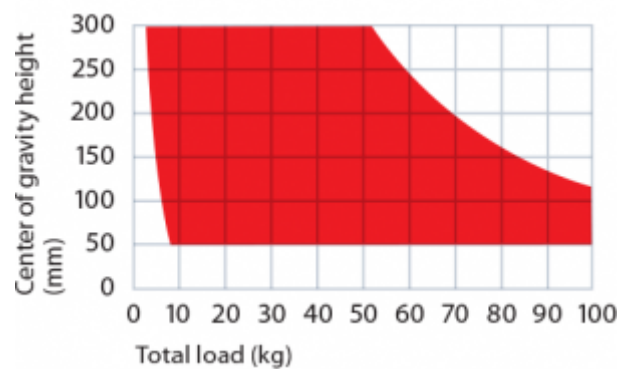
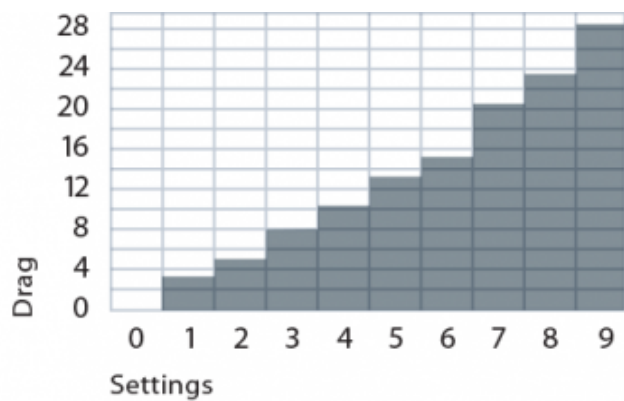


Technical Specifications

Feature	Value
Range	Cine
Payload	3 to 35 kg
Bowl size	150 mm
Weight	12.20 kg
Spreader type	Mid-level spreader
Material	Carbon Fibre
Transport length	950 mm
Tripod stages	2
Height with spreader	0.77 to 1.73 m
Temperature range	-40 to 60 °C
Tilt range	90° to -75°
Sliding range	150 mm
Interface Compatibility	Sideload
Counterbalance	18 counterbalance steps + Boost Button
Drag	7 + 0 horizontal and vertical grades of drag

What's in the box?

- **Front pan bar HD**
- **Mid-level spreader 100/150**
- **Rubber Feet 100/150**
- **Cine 30 HD**
- **Tripod EFP 2 CF**



half ball with screw (integrated flat base)