

Thanks for using the BL-P1 video light, which offers a perfect experience for your creation.

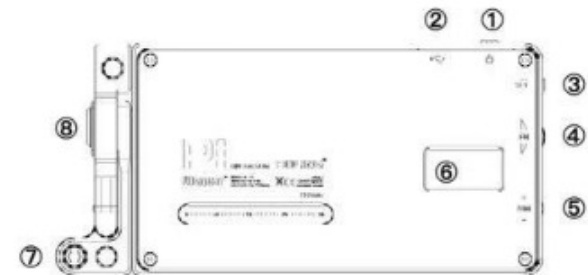
Characteristic:

- Wide color temperature range: 2500K~8500K
- Accurate brightness adjustment from 0~100%
- 0~360 full color& color saturation adjustment
- 9 common scenario simulations
- Full power 140 mins working
- Intelligent temperature control protection system (unexpected high temperature protection)
- Omnidirectional supporting system/360 degree supporting bracket
- High strength aviation aluminum light body

Packing:

- Boling BL-P1*1pc
- Cold shoe*1pc
- Cloth bag*1pc
- Wrench*1pc
- Type charging cable*1pc
- Manual*1pc

- Control part -



- ① Power switch
- ② Charging interface
- ③ Menu switch button (SET)
- ④ Multi-function wave wheel (FN)
- ⑤ Dimmer button (DIM)
- ⑥ Display screen
- ⑦ 270 degree adjustment screw
- ⑧ 360 degree adjustment screw

- 1、 Power switch:** Turn on or off the light.
- 2、 Charging interface:** Type-c charging interface supports QC 3.0 fast charging protocol. When the system detects the adapter fast charging protocol, it will automatically select 5v, 9v or 12v for charging. When the device is in the off state, and you plug in the adapter, the display will light up the process for charging. When you need to use the device for an extended period of time, please use the adapter with fast charging protocol or 5v 2.4A or more USB adapter to drive the light for a longer time at full power. It takes approximately 2.5 hours to fully charge the light by the standard 5V 2A adapter.
- 3、 Menu switch button (SET):** Press the switch button to change to CCT Mode, HSI Mode, and Special effect Mode.
- 4、 Multi-function button (FN):** Press the button to select the function in each mode.
Eg.: In HSI color gamut mode, press the multi-function button to switch between the color gamut and color saturation, and rotate the multi-function wheel to adjust the parameters of the current mode.
- 5、 Dimmer button (Dim):** Turn the DIM wheel to adjust the brightness from 0~100%.

6、Display screen

① **Battery icon:** Each cell represents approximately 25 percent of the battery charge. When the last cell is empty, the battery symbol will flash a warning and the light will turn off 5 minutes later.

② **Charging icon:** When the charger is connected, the icon is displayed, and the icon disappears when the charger is fully charged.

③ **Brightness percentage icon:** Displays the brightness in the current mode.

④ **CCT mode interface:** Rotate multi-function wheel (FN) and the color temperature can be freely selected from 2500K to 8500K.

⑤ **HSI color mode interface:**

When entering the HSI color mode, rotate the multi-function wave wheel, and you can select all color in the 0-360 color gamut. After selecting the color, press the multi-function button to switch to the saturation adjustment option, and rotate the multi-function wheel again to adjust the concentration of the selected color from 100% to 0.



⑥ Special effect mode interface

Press the SET button to switch out of the effect mode. Press the multi-function button (FN) again to select each effect mode type, and scroll the FN wheel to select the A|B|C effect type. The brightness of each special effect type can be adjusted by the DIM button from 0~100.

Mode 1:

A: Lightning effect; B: Lightning effect; C: TV special effects

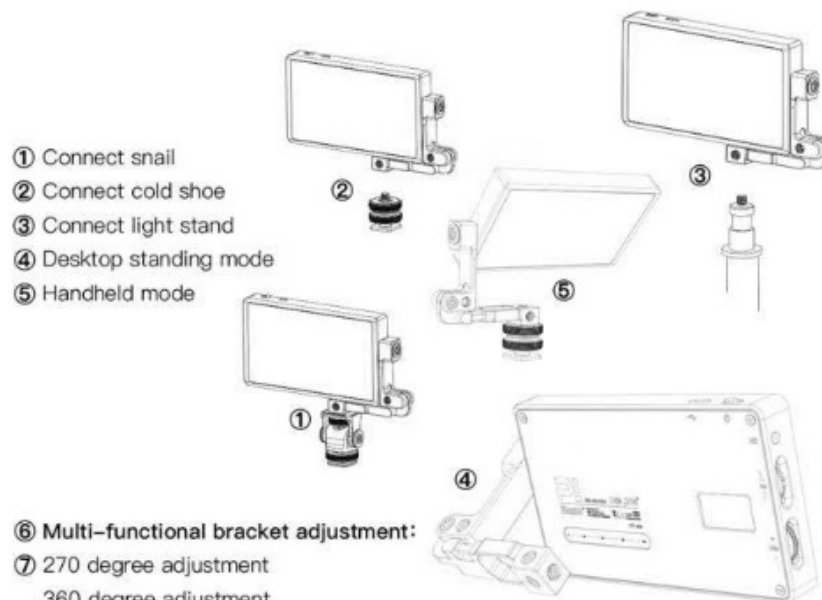
Mode 2:

A: RGB slow circle; B: RGB fast circle; C: Candlelight effect

Mode 3: Special vehicle mode

A: Police car special effects; B: Ambulance effects; C: Fire truck special effects

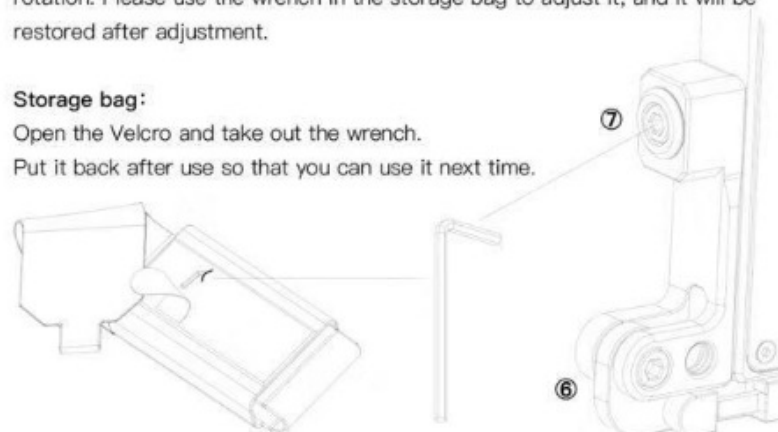
- Multifunctional bracket section -



Storage bag:

Open the Velcro and take out the wrench.

Put it back after use so that you can use it next time.



– Parameter performance –

Model No:	BL-P1	CCT:	2500~8500K ⁺
Power:	12W	Lux:	1480lux (0.5m)
Charging interface:	Type-c 5v 9v 12v Qc3.0intelligent charge	Battery Supply:	140mins
Battery Capacity:	7.4v 2930ma	LED lifespan:	50000hours
Dimming:	0~100	Body material:	aviation aluminum
RGB Color Gamut:	0~360full color	aviation aluminum:	Natural heat dissipation
CRI:	96	Body size:	150X70X15mm
TLCI:	97	Weight:	260g

Special tips:

When the equipment is used for an extended period at full power, the surface of the case may generate a temperature that is uncomfortable to touch and is directly related to the ambient temperature. After the temperature of the fuselage rises to an unsafe temperature in an accident or special situation, the intelligent temperature control protection system of the light will intervene, and the HOT flashing warning will appear in the battery symbol, and the light will take action to reduce the power or turn off the light. When the temperature returns to the safe range, the light will automatically return to normal operation.

Notice:

- 1、 Do not disassemble the device without authorization. The short circuit of the battery may cause a fire.
- 2、 Do not replace the battery inside the device as it may cause damage to the device.
- 3、 Do not use in water for this device has no waterproof function.
- 4、 Do not wrap the lights when using, for high temperatures may cause accidents.
- 5、 Do not leave the product for a long time if the battery is completely used up.
- 6、 Do not store the product in a high temperature environment.

Warranty:

From the date of sale, Boling products enjoy a 12-month warranty and provide free repair or replacement service during the warranty period. External damage and water damage are not covered by the warranty.

Thank you again for reading the product description and we hope you like it.

Manufacturer: Fuzhou Boling Photographic Equipment Co.,Ltd
Place of origin: Fuzhou, China

